

THERMASOL®

Superior Steamshower Systems

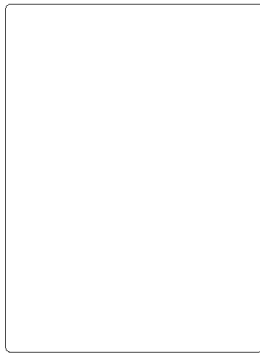
Headquarters & Technical Support
1958 Steam Way, Round Rock, TX 78665 – (800) 776-0711
Mon – Fri 7:00 – 7:00 CST
www.thermasol.com

Fog-Free Mirrors

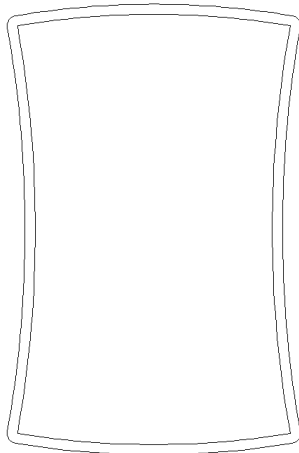
Installation Instructions

Please read and follow the instructions completely before beginning installation.

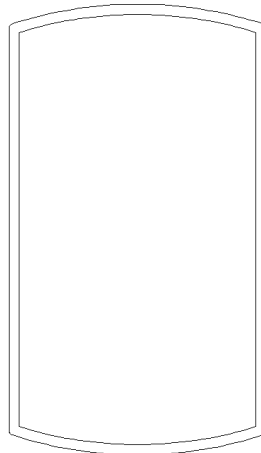
WARNING: All work must be done to National and Local Electrical codes.



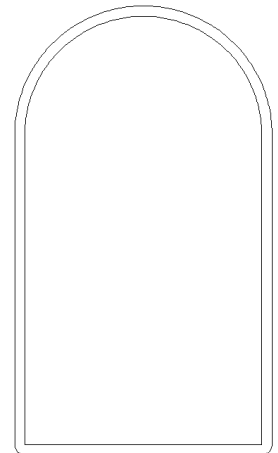
Rhombus
12.5" x 17"



Eclipse
14.25" x 22"



Avant
12.5" x 22"



Cupola
12.5" x 22"

Fog-Free Mirror
(Mirror weight 8 lbs. (3.6 kg))

Parts Enclosed:

- Assembled mirror with heating pad
- Transformer wiring: 120V Input (black-white), 12V Output (red-blue)
- 2 – Solder-less connectors

Materials needed:

- 18 gauge wire
- Clear silicone
- Drill
- 1 - 1/4" drill bit
- 1 – 5/8" drill bit
- 2 - # 10 self-tapping screws
- 2 - # 10 anchors

IMPORTANT INSTRUCTIONS

WHEN USING ELECTRICAL APPLIANCES, BASIC PRECAUTIONS SHOULD ALWAYS BE FOLLOWED TO REDUCE THE RISK OF FIRE, ELECTRIC SHOCK, AND INJURY TO PERSONS, INCLUDING THE FOLLOWING:

- 1) READ ALL INSTRUCTION BEFORE INSTALLING AND USING THIS MIRROR.
- 2) THIS HEATER IS HOT WHEN IN USE. TO AVOID BURNS, DO NOT LET BARE SKIN TOUCH HOT SURFACES.
- 3) EXTREME CAUTION IS NECESSARY WHEN ANY HEATER IS USED BY OR NEAR CHILDREN OR INVALIDS AND WHENEVER THE HEATER IS LEFT OPERATING AND UNATTENDED.
- 4) DO NOT OPERATE ANY HEATER AFTER IT MALFUNCTIONS. DISCONNECT POWER AT SERVICE PANEL AND HAVE HEATER INSPECTED BY A REPUTABLE ELECTRICIAN BEFORE REUSING.
- 5) TO DISCONNECT HEATER, TURN CONTROLS TO OFF, AND TURN OFF POWER TO HEATER CIRCUIT AT MAIN DISCONNECT PANEL (OR OPERATE INTERNAL DISCONNECT SWITCH IF PROVIDED).
- 6) USE THIS HEATER ONLY AS DESCRIBED IN THIS MANUAL. ANY OTHER USE NOT RECOMMENDED BY THE MANUFACTURER MAY CAUSE FIRE, ELECTRIC SHOCK, OR INJURY TO PERSONS.
- 7) THIS DEVICE IS FOR INDOOR USE ONLY.
- 8) TURN OFF POWER AT THE CIRCUIT BREAKER PRIOR TO BEGINNING WORK ON THIS INSTALLATION. WHEN DRILLING HOLES FOR MIRROR, MAKE SURE THERE ARE NO ELECTRICAL WIRES OR PLUMBING PIPES DIRECTLY BEHIND THE DESIRED HOLE LOCATIONS.
- 9) YOUR SHOWER MAY BE A SLIP AND FALL HAZARD CHECK WITH YOUR CONTRACTOR OR FLOORING MANUFACTURER REGARDING THE SAFE USE OF YOUR FLOORING IN A WET APPLICATION. SLIPPING AND FALLING INTO THE MIRROR ITSELF WILL CAUSE SERIOUS PHYSICAL INJURY.
- 10) THERMASOL DOES NOT KNOW WHAT MATERIAL THE MIRROR WILL BE MOUNTED ON. THEREFORE, IT IS IMPORTANT THAT THE INSTALLER CREATE A STURDY AND SAFE ANCHOR. IF THE MATERIAL THERMASOL HAS SPECIFIED TO MOUNT THE MIRROR WILL NOT PROVIDE A STURDY AND SAFE ANCHOR FOR YOUR PARTICULAR INSTALLATION, THEN PLEASE SUBSTITUTE SUITABLE MATERIAL.
- 11) MAKE SURE THERE IS NO INSULATION OR COMBUSTIBLE MATERIAL WITHIN 8 INCHES OF THE TRANSFORMER. NO MATERIAL SHOULD TOUCH THE TRANSFORMER.
- 12) NEVER USE ANY SURFACE CLEANERS THAT DO NOT APPLY TO GLASS SURFACES.
- 13) TO REDUCE THE RISK OF FIRE DO NOT STORE OR USE IN THE VICINITY OF FLAMMABLE LIQUIDS OR VAPORS.

SAVE THESE INSTRUCTIONS

INSTALLATION INSTRUCTIONS

WARNING: Must be wired, connected and all work must be done to National and Local Electrical codes.

1. Drill two 1/4" Dia. Holes 9-11/16" apart at a desired height on wall. Refer to figure #1. Insert PLASTIC anchors to reinforce holes. Use two 1-1/2" - #10 pan head screws for mounting the mirror. Screw the flat head screws into the anchors leaving 1/4" protruding. *****WHEN DRILLING HOLES FOR MIRROR, MAKE SURE THERE ARE NO ELECTRICAL WIRES OR PLUMBING PIPES DIRECTLY BEHIND THE DESIRED HOLE LOCATIONS.*****
2. Find the center between the two mounting holes you just made. Measure down 3 1/2," using a stud finder insure that there is not a stud located behind hole to be drilled. If there is, then offset to a location without stud interference, drill one 5/8" Dia. hole on the wall. Refer to figure 1.

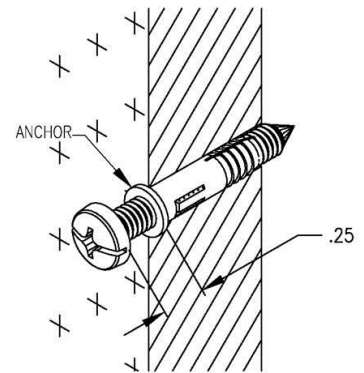
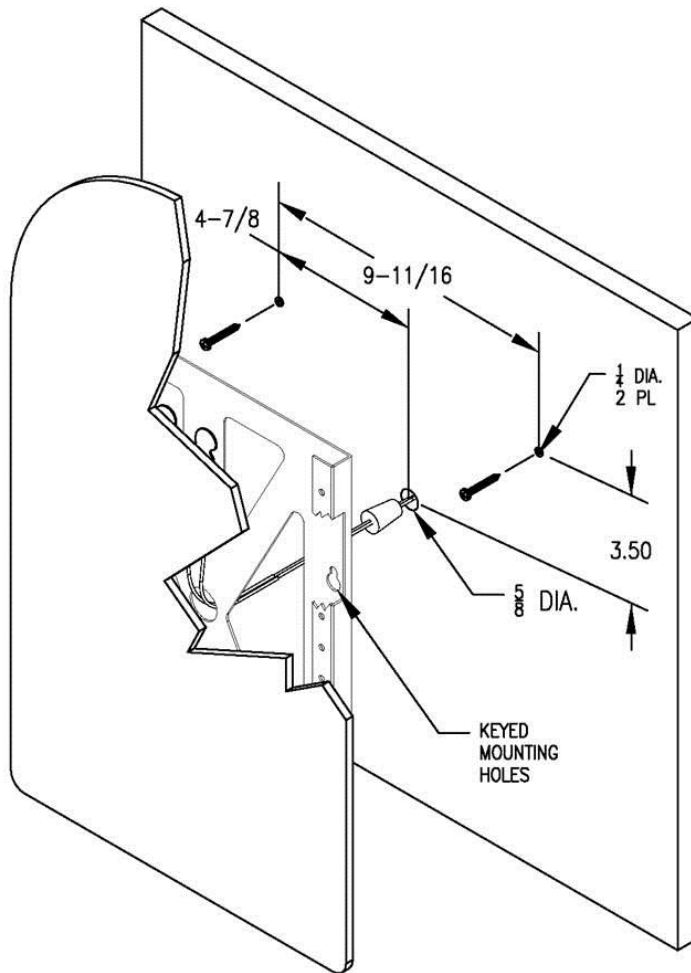


Figure #1

3. Mount the transformer in a location that is easily accessible for wiring and inspection. Mount in a bathroom vanity, located inside on the top where it is out of common contact.

The power to the mirror should be connected to a switch, which may be turned on from outside of the shower enclosure. Such as a light switch or a dedicated switch. (Refer to diagram #2 and #3 for wiring with a switch)

- **Because there are a wide variety of switches available to you, and we do not provide the switch, refer to your specific switch installation instructions.**

WARNING: Make sure there is no insulation or combustible material within 8 inches of The transformer. NO material should touch the transformer.

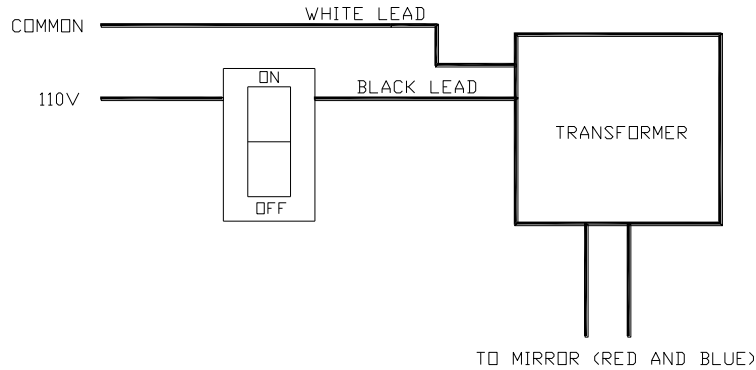
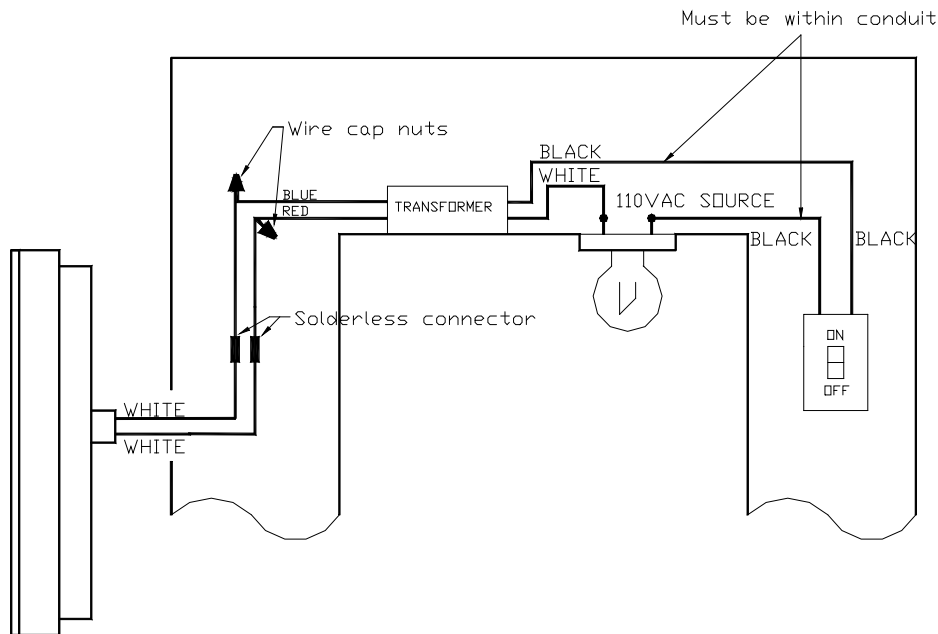


Figure #2

- Use the proper Crimping tool for solderless connectors: WT1455, WT2000, WT105M, ERG-2001, ERG-2003.



4. You will need to supply 18-gauge wire to connect and extend blue and red transformer wires. Pull the wires through the hole, leaving roughly 1.5 feet extra out from wall for maneuverability and ease of installation.
5. Connect the mirror to the transformer by crimping the two wires from the mirror (with solder-less connections on ends) to the two transformer wires now coming through the 5/8" drill hole.
6. Cover the plug located on the wires from the mirror with silicone and gently push the wires and crimped connections into the 5/8" hole and insert the plug into hole, sealing the hole with silicon while mounting mirror.
7. Transformer is to be mounted in remote location. Make sure mounting location is a dry well ventilated space. DO NOT MOUNT IN SHOWER.
8. To reduce the risk of fire do not store or use in the vicinity of flammable liquids or vapors.

OPERATION

1. BEFORE USE ENSURE THE MIRROR IS INSTALLED PER THE INSTRUCTION MANUAL.
2. IF THESE STEPS ARE FOLLOWED, YOUR FOG-FREE MIRROR WILL BE A PLEASURE TO LOOK AT AND USE FOR MANY YEARS.
3. TRANSFORMER IS MOUNTED IN REMOTE LOCATION AND IS TURNED ON AND OFF WITH A SWITCH LOCATED OUTSIDE THE SHOWER AREA.
4. TRANSFORMER IS INSTALLED TO ENSURE THE SAFETY OF THE USER. DO NOT TAMPER WITH.
5. YOUR MIRROR MAY REQUIRE PERIODIC CLEANING WHEN DIRTY.
6. MAKE SURE BREAKER IS OFF AND MIRROR IS COOL TO THE TOUCH PRIOR TO ANY CLEANING/SERVICE.
7. USE A GLASS CLEANING SOLUTION SUCH AS "WINDEX" AND A SOFT CLEAN COTTON CLOTH TO CLEAN THE MIRROR. NEVER USE ANY SURFACE CLEANERS THAT DO NOT APPLY TO GLASS SURFACES.
8. TO PREVENT WATER SPOTS, USE A SOFT CLEAN COTTON CLOTH AND WIPE THE MIRROR DRY BEFORE LEAVING BATHROOM.
9. IF YOUR MIRROR IS EVER REMOVED STORE IN THE FACTORY PACKAGING.
10. OTHER THAN NORMAL MAINTENANCE, ANY SERVICE SHOULD BE DONE BY QUALIFIED SERVICE TECHNICIAN.

MAINTENANCE

1. YOUR MIRROR MAY REQUIRE PERIODIC CLEANING WHEN DIRTY.
2. MAKE SURE BREAKER IS OFF AND MIRROR IS COOL TO THE TOUCH PRIOR TO ANY CLEANING/SERVICE.
3. IF THESE STEPS ARE FOLLOWED, YOUR FOG-FREE MIRROR WILL BE A PLEASURE TO LOOK AT AND USE FOR MANY YEARS.
4. USE A GLASS CLEANING SOLUTION SUCH AS "WINDEX" AND A SOFT CLEAN COTTON CLOTH TO CLEAN THE MIRROR. NEVER USE ANY SURFACE CLEANERS THAT DO NOT APPLY TO GLASS SURFACES.
5. TO PREVENT WATER SPOTS, USE A SOFT CLEAN COTTON CLOTH AND WIPE THE MIRROR DRY BEFORE LEAVING BATHROOM.
6. OTHER THAN NORMAL MAINTENANCE, ANY SERVICE SHOULD BE DONE BY QUALIFIED SERVICE TECHNICIAN.

Headquarters & Technical Support
1958 Steam Way, Round Rock, TX 78665 – (800) 776-0711
Mon – Fri 7:00 – 7:00 CST

Failure to follow all instructions will void the warranty.