

Diablo

Recessed Steam / Sauna Luminaire



Installation Instructions

Diablo - Recessed Steam / Sauna Luminaire

Installation Instructions

Note: For your safety read and understand instructions completely before starting installation. Before wiring to power supply, turn off electricity at the fuse or circuit breaker box.

Recessed fixtures are designed to meet the latest NEC requirements and are UL listed in full compliance with UL 1571 or 1570. Before attempting installation, check your local electrical code. This code sets the wiring standards for your locality and should be carefully studied before starting installation.

If fixture is to be switched from wall switch, make sure that black power supply wire is connected to the switch. DO NOT connect the white supply wire to the switch.

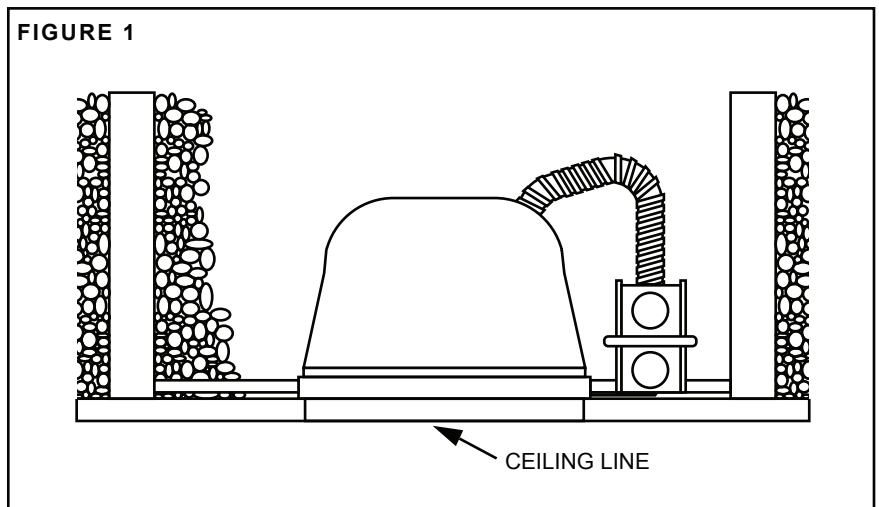
Make certain no bare wires are exposed outside the wire nut connectors.

Fixture is designed for installation where it will not come in contact with insulation. Thermal insulation must be kept a minimum of three inches (3") away from the housing (Figure 1).

INSTALLATION IN NEW CONSTRUCTION

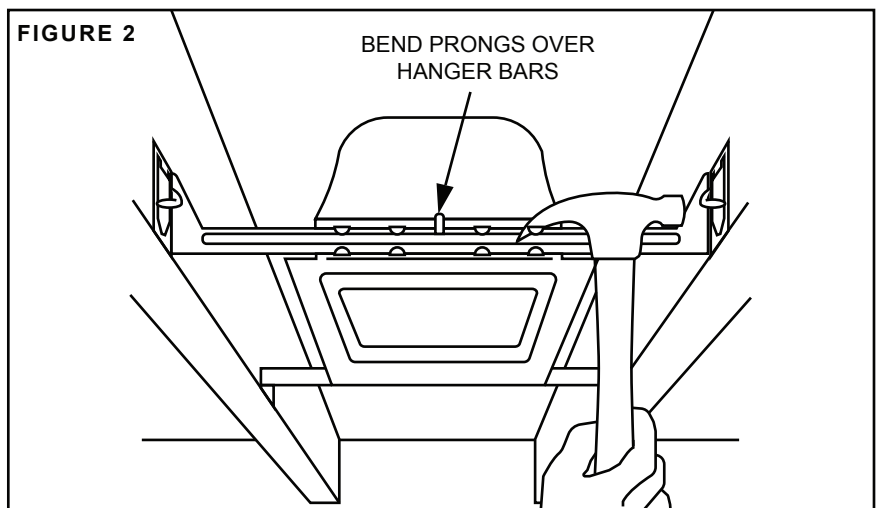
Note: Bar hangers for this fixture are of interlocking design to allow positioning of housing along entire lengths of bars. Position bar hangers so that nail-in tabs point away from housing (Figure 2).

1. Extend bar hangers to fit between joists. Position fixture by hammering nail-in tabs into joists. Hangers should be level with bottom of joists (Figure 2).
2. Follow steps 1 through 4 under Electrical Connection.
3. Position fixture on hanger bars. To secure fixture position in ceiling, bend prongs on plaster frame over bar hangers (Figure 2).
4. Adjust fixture for ceiling thickness by loosening the hex screws that attach the housing to the plaster frame. Bring bottom edge of housing flush with ceiling line and tighten screws.



INSTALLATION IN SUSPENDED CEILINGS

1. Locate center of proposed opening on ceiling tile and cut a 8-9/16" or 10-9/16" square hole for H1 or H2 style housings.
2. Place ceiling tile in T-bar grid.
3. Rest fixture on T-bars with notches in hanger bars over tops of T-bars secure with wire.



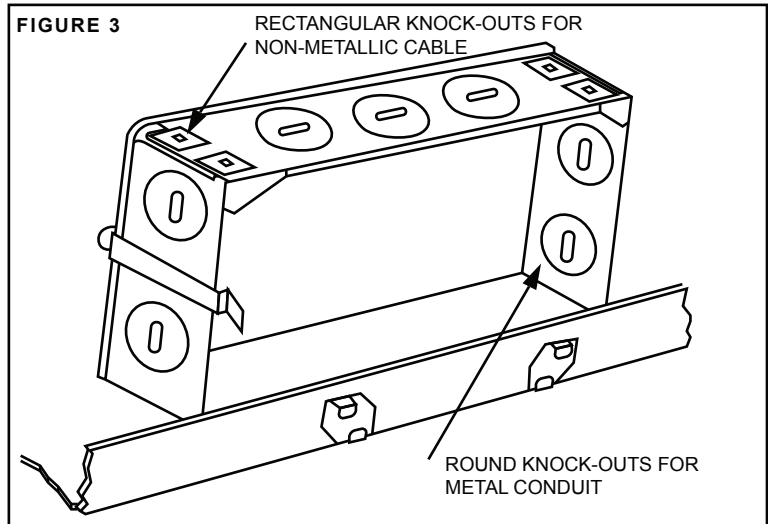
Diablo - Recessed Steam / Sauna Luminaire

Installation Instructions

4. Follow steps 1 through 4 under Electrical Connection.
5. Center fixture over opening. To secure fixture position in ceiling, bend prongs or plaster frame over bar hangers (Figure 2).
6. Adjust the fixture for ceiling thickness by loosening the hex screws that attach the housing to the plaster frame. Bring bottom edge of housing flush with ceiling line and tighten screws.

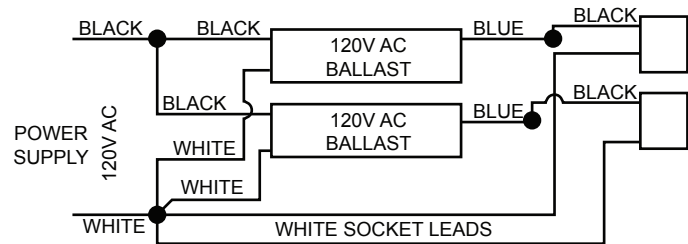
ELECTRICAL CONNECTIONS

1. Provide electrical service according to the "National Electrical Code" or your local electrical code from a suitable junction box to the wiring box (located on the plaster frame). Supply wire insulation must be rated for at least 90°C.
2. Remove the wiring box cover. Remove the appropriate knock-out(s) to accommodate the type of electrical service to be used. Note: The wiring box will accept metal conduit or non-metallic cable, but metal conduit must be used if your electrical code requires it. Metal Conduit: Remove appropriate round knock-out(s) and connect conduit to wiring box with proper connector(s) (not included). Non-metallic cable: Remove appropriate rectangular knock-out(s) on top of wiring box and insert cable, pushing it past the cable lock in wiring box. Cable will be held in place by the lock; no other connector is required (Figure 3).
3. Connect supply wires to wires in fixture wiring box with proper size wire nuts (not included), so as to cover all bare current-carrying conductors. Connect white to white, black to black, and green (from electrical service) to bare copper wire (in wiring box). Note: The ground wire at the service junction box may need to be secured to a ground screw.
4. Place all wiring and connections back in wiring box and replace cover. Note: 2D fluorescent fixtures, H1-D and H2-D, require 4-pin lamps.

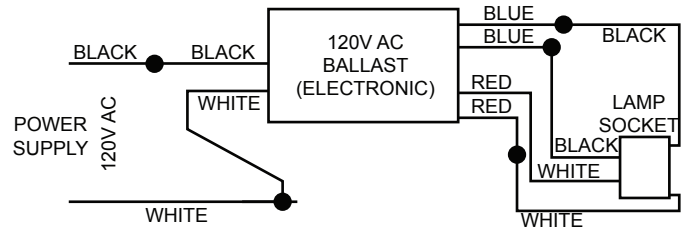


WIRING DIAGRAM

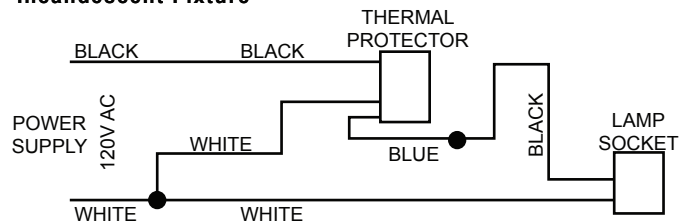
120V Fluorescent Fixture - (2) Compact Fluorescent Lamp



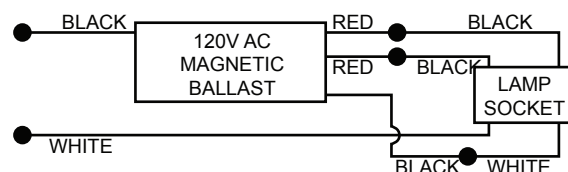
120V Fluorescent Fixture - (1) 2D Compact Fluorescent Lamp With Electronic Ballast



Incandescent Fixture



120V Fluorescent Fixture - (1) 2D Compact Fluorescent Lamp With Magnetic Ballast



techsupport@bathingbrands.com
(224) 253-5909