

Wood burning heater Harvia 22 Steel

WK220S

Available in a stylish steely grey that reflects the surrounding space, the Harvia 22 Steel stove is a source of glowing heat and pleasant steam for medium-sized saunas.



Features

Net weight (kg) : 61.0

H x W x D : 770.0 x 450.0 x 510.0 mm

Stone amount (kg) : 40.0

ID	GTIN	Power	Sauna room size min - max m3
WK220S	6417659019309		8.0-20.0

Related products



WL100



WL585

Spare parts

Product	ID	Pcs
Stove door with glass 2006	WX048	1
Ash box, Duo-series	WX096	1
Ashpan ES/SL	Z2ES-125	1
Furnace grate	ZKIP-10	1
Glass for stove door 184*210 mm	ZTS-36	1
Ashpan RST Pro	ZKIP-721	1
Ashpan Pro 2019	Z2ES-127	1
Ashpan RST Pro	ZKIP-720	1
Cover plate 115 mm	ZKIP-140	1
Cover plate 50 mm	ZKIP-170	1

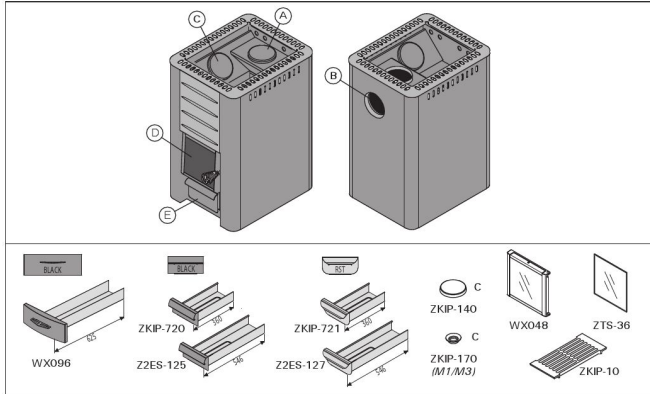
Technical details

Technical data	Type / attribute	WK220S
	Color	Stainless Steel
	Stone amount (kg)	40
Dimensions	Product width (mm)	450
	Product height (mm)	770
	Product depth (mm)	510
	Net weight (kg)	61
	Gross weight	63.1
	Package width	470
	Package height	780
	Package depth	580
Connections	Flue connection locations	Back, Top
	Chimney connection diameter	115
Safety and installation dimensions	Safety distance front (non-combustible materials)	500
	Safety distance front (combustible materials)	500
	Safety distance right side (combustible materials)	400
	Safety distance right side non-combustible materials	100
	Safety distance left side (combustible materials)	400
	Safety distance left side non-combustible materials	100
	Safety distance behind (non-combustible materials)	100
	Safety distance behind (combustible materials)	380
Safety distance (Ceiling) (depends on connections and therefore from output, star/delta)	1265	

Technical images

1.1. Stove Parts

- A. Upper connection opening
- B. Rear connection opening
- C. Soot opening
- D. Stove door
- E. Ash box



Stove parts. Note! Only use replacement parts recommended by the manufacturer. Unauthorised modification of the stove is prohibited.

	A min.	B min.	C min.	D min.
M1, M2, M3-SL, Classic 140	1200	250	300	300
20 Pro, 20 SL Duo, 20 ES Pro, S20 Boiler, 20 SL Boiler, Premium VS, Classic 220 Duo, 20 RS/LS Pro	1300	300	300	300
26 Pro, Classic 280	1280	375	375	375
36, 36 Duo	1250	500	500	500
Linear 16, 16	1300	300	350	400
Linear 22, 22 S, Linear 22 RS/LS ES, 22 RS/LS ES	1265	400	380	500
Linear 28	1380	400	400	500

Safety distances (all dimensions in millimeters)

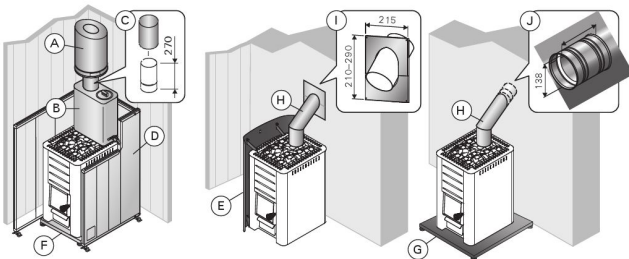
	B min.
WX017	300
M1, M2, M3-SL, 20 Pro, 20 SL Duo, 20 ES Pro-S, 20 Boiler, 20 SL Boiler, Premium, Classic 140-SL, Classic 220 Duo	375
26 Pro, Classic 280	300
Linear 16, 16	400
Linear 22/28, Linear 22 ES, 22 ES S, 22 S	400

	B min.	C min.	D min.	F
WL400/WL450	50	50	300	30
WL500/WL550	62	62	422	30
WL600/WL650	73	73	526	30
WL700/WL750	90	90	700	30
WL500/WL590	62	62	422	30
WL425/WL475	30	30	400	32
WL525/WL575	70	70	500	40
WL525/WL585				
WL530/WL580				
WL725/WL775				

Safety distances with protective sheaths (all dimensions in millimeters)

3.4. Accessories

- A. Harvia steel chimney WHP1500.
- B. Water heater VL221. Installed on the top of the upper connection opening. When a protective sheath or other protection is used that is not large enough to protect the inflammable materials around the stove from the heat radiation of the pipe between the water heater and smoke flue, you must install a radiation cover around the pipe.
- C. Radiation cover WZ020130. Installed around the smoke pipe.
- D. Harvia protective sheath WX017.
- E. Harvia protective sheath WL400-WL775.
- F. Harvia protective bedding WX018, WL100. (not for models 20 RS/LS Pro, 36, 36 Duo, Premium VS, Linear 22 RS/LS, 22 RS/LS S).
- G. Harvia protective bedding WL110 (not for models 20 ES Pro/S, Linear 22 ES, 22 ES S).
- H. Angle smoke pipe. Different models.
- I. Lead-through flange for smoke pipe WZ020115. Covers the edges of the flue opening and the sealing in the wall. Made of stainless steel. Consists of two parts to make it useable with differently inclined smoke pipes.
- J. Masonry connector WZ011115. Connected to the flue opening, does not require other seals. The inner side already has a seal.



Accessories (all dimensions in millimeters)