

Wood burning heater Harvia Linear 28 black

WK280C

The Linear 28 stove is source of glowing heat and magnificent bath for small saunas. The simple, sculptural design adds timeless style to the sauna. Through the cast-iron glass door the warm glow of the fire adds to the sauna atmosphere. The opening direction of the door can be changed. The fire chamber and combustion air channels of Harvia stoves are designed so that sauna warms quickly and the burning is cleaner. The stoves meet the requirements for CE-marking. The recommended size of the sauna room is 10-28 m³ and the maximum amount of stones is 50 kg.



Features

Main material : Steel

H x W x D : 850.0 x 450.0 x 510.0 mm

Net weight (kg) : 60.6

Stone amount (kg) : 50.0

ID	GTIN	Power	Sauna room size min - max m ³
WK280C	6417659019118	22 kW	10.0-26.0

Spare parts

Product	ID	Pcs
Furnace grate	ZKIP-10	1
Ashpan RST Pro	ZKIP-720	1
Cover plate 115 mm	ZKIP-140	1
Glass for stove door 184*210 mm	ZTS-36	1

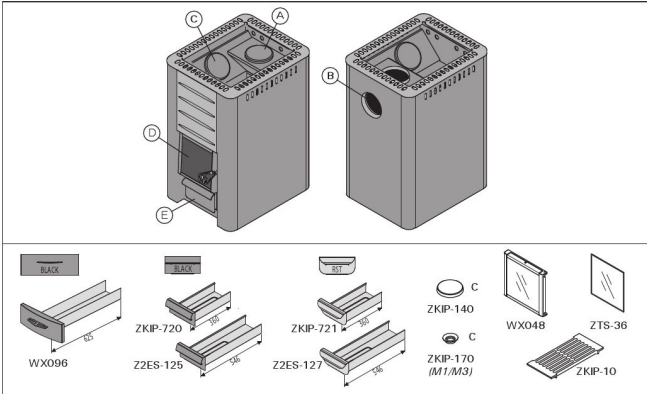
Technical details

Technical data	Type / attribute	WK280C
	Color	Black
	Power output	22 kW
	Stone sizes	10-15 cm
	Stone amount (kg)	50
Dimensions	Product width (mm)	450
	Product height (mm)	850
	Product depth (mm)	510
	Net weight (kg)	60.6
	Gross weight	62.7
	Package width	495
	Package height	880
	Package depth	535
Connections	Flue connection locations	Back, Top
	Chimney connection diameter	115
Safety and installation dimensions	Safety distance front (non-combustible materials)	500
	Safety distance front (combustible materials)	500
	Safety distance right side (combustible materials)	400
	Safety distance right side non-combustible materials	100
	Safety distance left side (combustible materials)	400
	Safety distance left side non-combustible materials	100
	Safety distance side (non-combustible materials)	400
	Safety distance behind (non-combustible materials)	100
	Safety distance behind (combustible materials)	400
	Safety distance (Ceiling) (depends on connections and therefore from output, star/delta)	1380
Room min. height (depends on connections and therefore from output, star/delta)	2430	

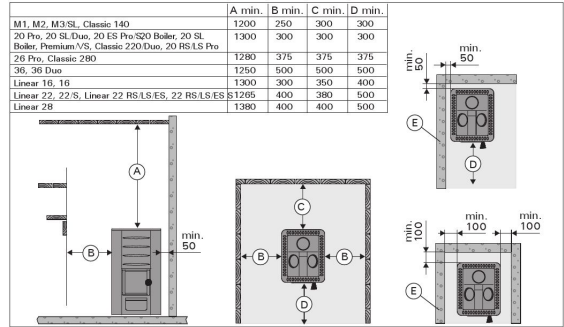
Technical images

1.1. Stove Parts

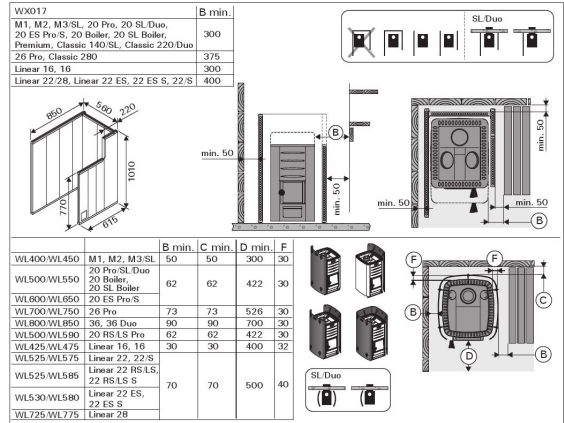
- A. Upper connection opening
- B. Rear connection opening
- C. Soot opening
- D. Stove door
- E. Ash box



Stove parts. Note! Only use replacement parts recommended by the manufacturer. Unauthorised modification of the stove is prohibited.



Safety distances (all dimensions in millimeters)



Safety distances with protective sheaths (all dimensions in millimeters)