

STEAMIST®

Commercial Aroma Pump

Model: AP-100

The Steamist commercial aroma pump model AP-100 is a micro-dosing pump specifically designed to pump pure aroma oils. 1 liter of pure oil is equal to 10 liters of typical spa fragrance. This feature eliminates the need for emulsifiers and dilution agents found in other oils. When you order eucalyptus (Part# 68018) or lavender (Part# 68019) oils from Steamist you are getting 100% pure oil. This is important to remember when purchasing oils as the Steamist pure oils will not work in other pumps and this pump will not work with diluted oils.

The AP-100 pump is for use only with newer Steamist HC series steam generators which are equipped with the Digital Commercial Control Package. For questions about compatibility always check with Steamist directly.



Warning: AP-100 pump oils are not for oral consumption and should not be applied to the skin. Keep the Aroma Oils and the AP-100 pump out of the reach of children. Aroma oils are not a cure or treatment for any medical conditions. Elderly persons, pregnant women, or those suffering from heart disease, high blood pressure, diabetes, or who are otherwise not in good health, do not use this device unless directed to do so by a physician. Also do not use the steam bath while under the influence of alcohol.

1. Power Light
2. ON/OFF Switch with flow adjustment
3. Peristaltic Pump
4. Black Peristaltic Pump Tube
5. Clear Suction tube (Tube on left side of pump into canister)
6. Canister Caps drilled with 1/8" holes
7. Aroma Oil Canister (Purchased separately)
8. Canister Holder
9. Pump Light
10. Manual forward and reverse switch
11. Peristaltic pump rollers
12. Clear Discharge tube (tube on right side of pump)
13. Tube fitting
14. Aroma Oil Adapter plug 3/4" NPT
15. Aroma Injection Tee: 3/4" copper x 3/4" NPT

Figure 1: AP-100 Pump

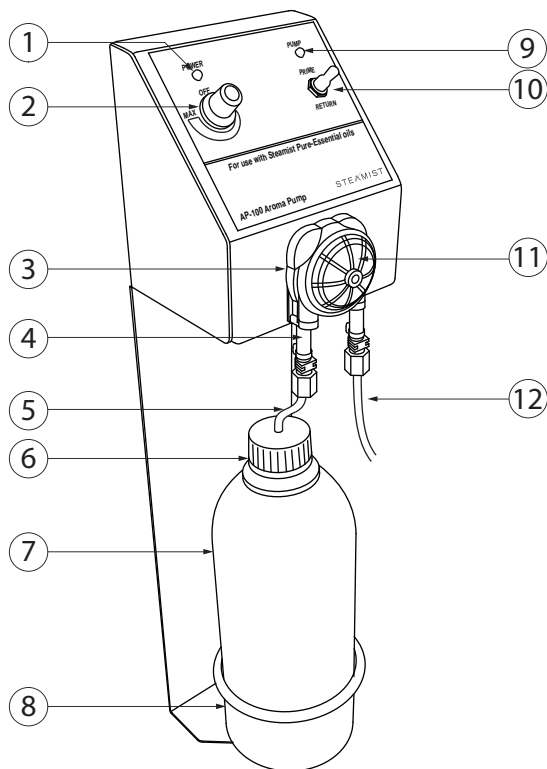
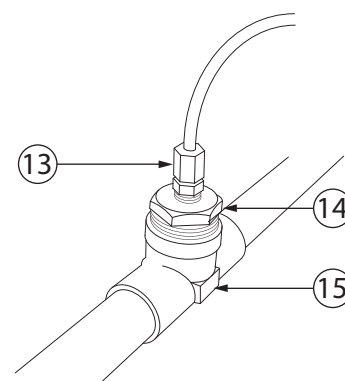


Figure 2: AP-100 Adapter



Installation Instructions

1. Select a location for mounting the AP-100 pump system in a utility area or closet near the steam generator. The oil is injected directly into the steam line with an Aroma Injection Tee (15) going to the steam head. The distance from the pump to the Tee should not exceed **SIX FEET**. This Tee and the clear tubing (12) that carries the oil to the Tee (15) must not be installed inside walls. This tubing and Tee must be completely accessible for proper setup. Do not install any part of this assembly in a wall. The location may be above or below the steam line connection. The location should be convenient for replacing the oil canisters.

2. The 120 volt plug from the AP-100 pump must be plugged into the appropriate receptacle on the steam generator. The receptacle is only provided on the HC series steam generator equipped with a Digital Commercial Control Package (DCCP). The 120 volt receptacle on the generator controls the pump by providing voltage at the appropriate time.

Note 1: The generator is equipped with 2 receptacles for the possibility of controlling 2 steam rooms and the appropriate pump must be connected to the appropriate receptacle. If the generator is set up to supply steam to two rooms, a second AP-100 will be needed.

Note 2: The receptacles must be connected to a separate 120 volt 15 amp circuit. This connection is part of the generator installation. For further information please consult the generator instructions.

3. Secure two screws in the wall to hang the AP-100 pump system in this location. The screws should be placed 9" apart and vertical.
4. Choose a location for the Tee (15). The location is preferable to be level with, or above the steam head. **DO NOT** install the Tee below the steam head. This will provide a better aroma flow to the steam room and prevent backflow of oil to the generator. When the steam generator outlet is located below the steam head make a minimum of a 1" riser in the steam line located between the steam generator and the aroma injection Tee.
5. This will prevent the aroma oil from backing up into the generator. The location of the Tee must remain accessible after the installation is complete. The injection Tee is not intended to be buried in the wall. Make sure the plastic fittings are removed before the sweating the Tee in place. Sweat the Tee into the steam line in the horizontal position shown. Do not install in any other position.

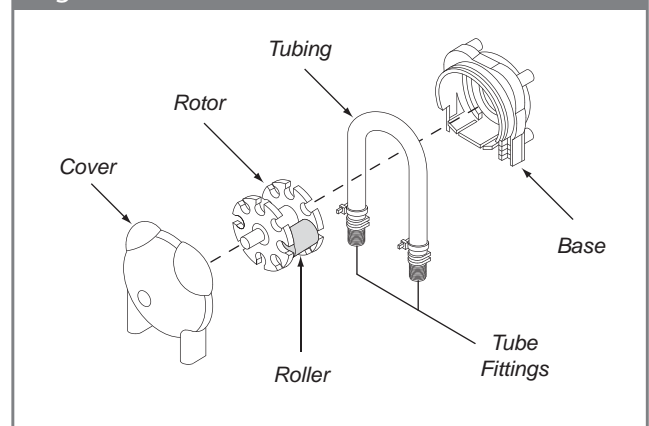
Assembly and Setup

1. The black peristaltic tube (4) needs to be installed into the pumps.
 - a. Remove (unsnap) the blue plastic cover exposing the pump roller assembly.
 - b. Pull out the Rotor about a ¼"
 - c. Place the tube between the pump base and each of the rollers forming a loop where the tube follows the inside upper curve of the pump base.
 - d. Push the lower right and lower left ends of the black tubing into the blue pump base securing it in the

provided grooves.

- e. Replace the blue cover on to the pump base. Verify that the pump cover is properly attached to the pump base so that there is no space and the pump cover is not crushing the tube.

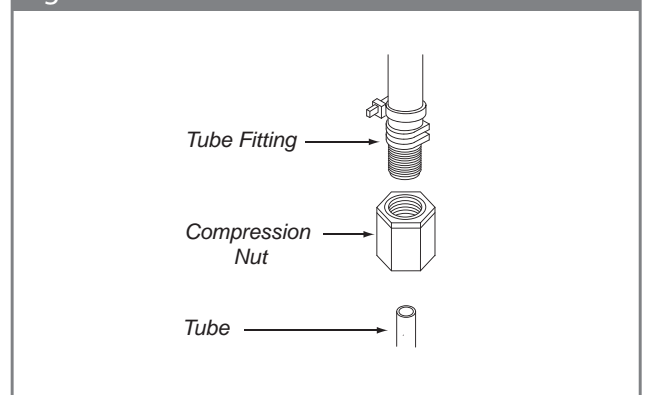
Figure 3



2. Clear Tubing connections: The clear tubing that is used to carry the oil to the steam line is secured with special 1/8" tubing fittings. These fittings are assembled by sliding the tube through the nut and bottoming the tube into the fitting. Then tighten the nut until the tube is secured.

- a. With the canister removed the clear suction tubes should extend from the left side of the pump to the bottom of the canister. This will ensure that when the bottle is in the holder that the tube will extend to the bottom of the canister. Connect the clear tube to the black peristaltic tube on the left (inlet) side of the pump.
- b. Connect the outlet side of the pump (right side) to a length of clear tube that will be long enough to reach the Tee connected to the steam line.
- c. Route the tube to the Tee.
- d. Connect the tube to the fitting on the Tee adapter. (See Figure 2).

Figure 4



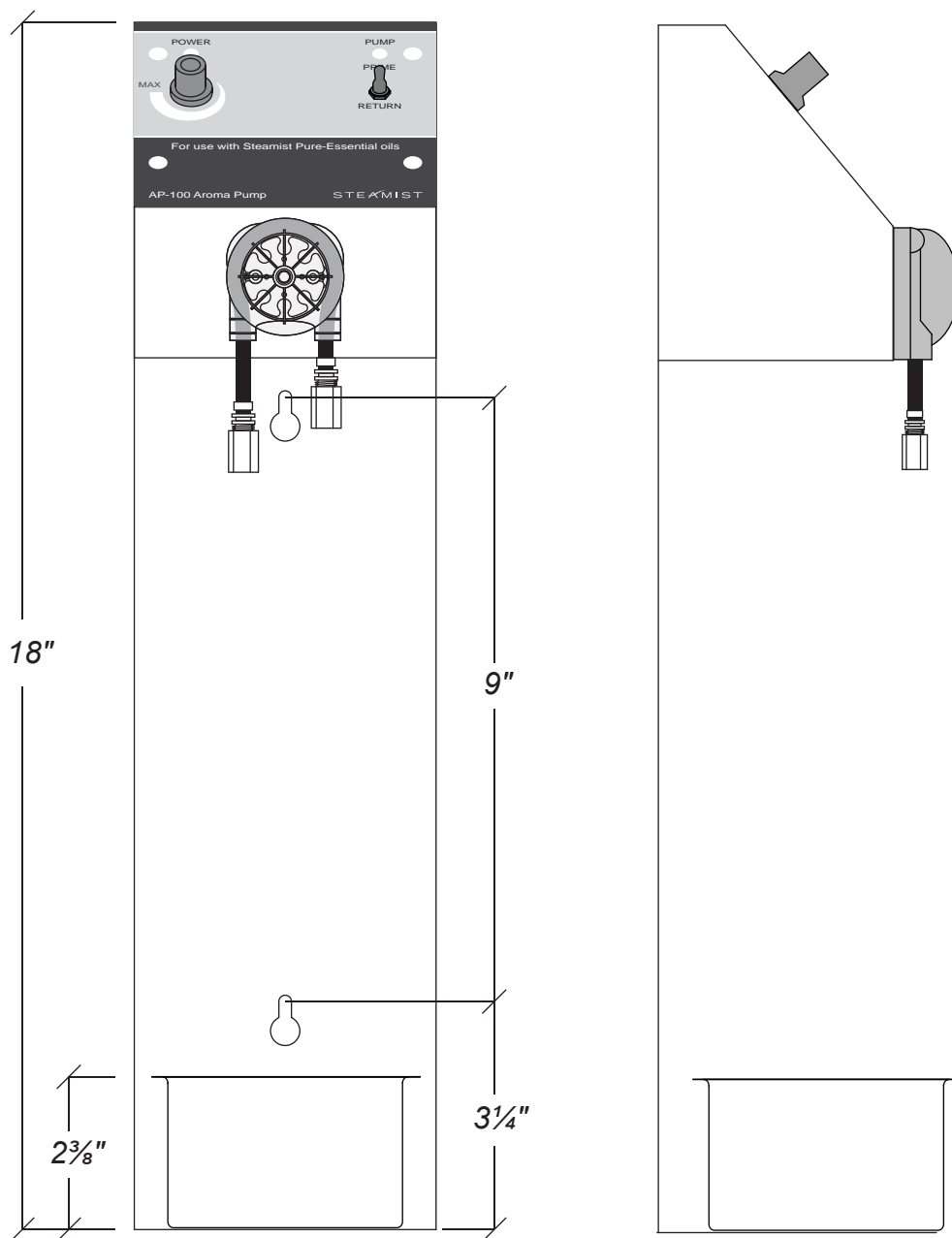
Replacing the Aroma Oil Canister

1. The Aroma Oil canister is shipped from the factory sealed and the caps supplied with the oil do not have a hole in them for the inlet tube. The Aroma Oil pump system is supplied with one predrilled cap. This cap should be saved and reused. Should these caps be lost it is simple to modify any new cap by simply drilling a 1/8" hole into the center of a new cap. Replace the caps on the canisters with the predrilled caps. Do not leave the bottles open without the caps as this will evaporate the oil.

2. Insert the inlet tube through the cap until it reaches the bottom of the canister then place the canister into the holder.

3. Press and hold the button to prime the pump system. You will see the oil travel through the tube. Keep priming the pump until the oil reaches the Tee at the steam line. It is ready to go.

Figure 5 - Dimensions



Operation

The Steamist AP-100 pump is designed to work with the commercial HC series generators with the Digital Commercial Control Package (DCCP). The DCCP provides the 120 volts to the receptacle at the proper time. The receptacle only receives power when the appropriate steam valve is open (energized), the temperature of the steam room is above the programmed Idle temperature, and the control is in MAX mode. The receptacles on the generator are dead otherwise.

To test and prime the pump it may be necessary to plug it into a different outlet using a temporary extension cord that is connected to a powered 120 volt outlet.

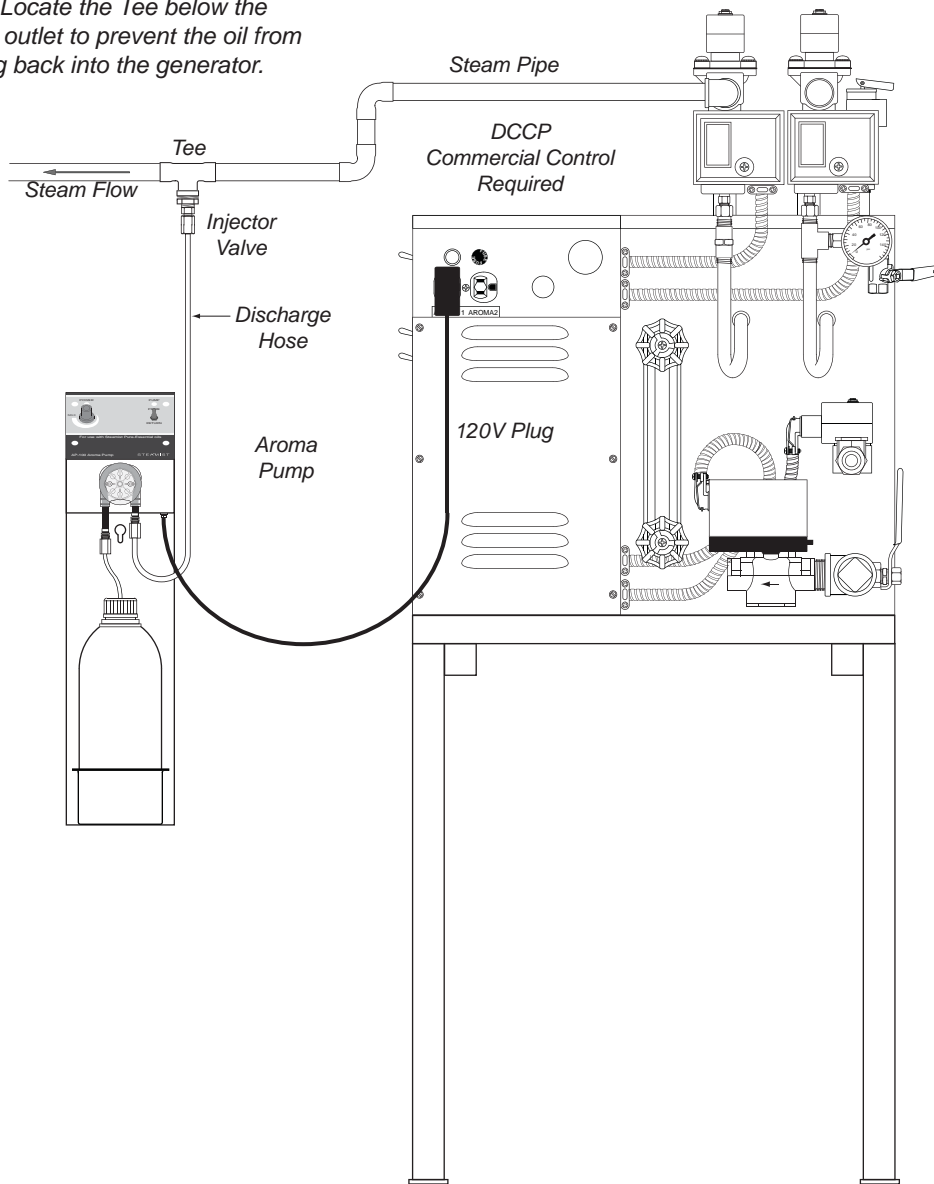
Turn the power switch on and the red power light will glow if it has power.

This switch is also used to adjust the flow. When turned on, the pump will operate in 1 second pulses. The rotating the knob clockwise will increase the frequency of the pulses and counter clockwise will decrease the frequency.

Priming: Make sure the pump is primed, filling the tube all the way to the steam pipe. The manual pump switch makes it possible to send the oil to the steam pipe (Prime) or in reverse back to the canister (Return).

Figure 6 - Typical Installation Model: AP-100

Note: Locate the Tee below the steam outlet to prevent the oil from flowing back into the generator.



Typical "HC" Generator with optional 24" stand