



see what Delta can do™

112970



X00112970

STEAM HEAD INSTALLATION INSTALACIÓN DEL CABEZAL DE VAPOR INSTALLATION DE LA TÊTE DE VAPEUR

Model Number: _____
Número del modelo
Numéro de modèle

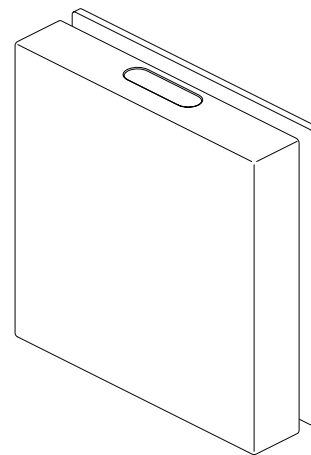
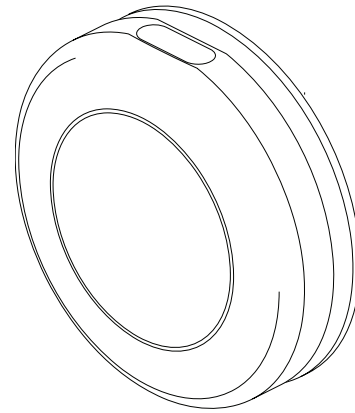
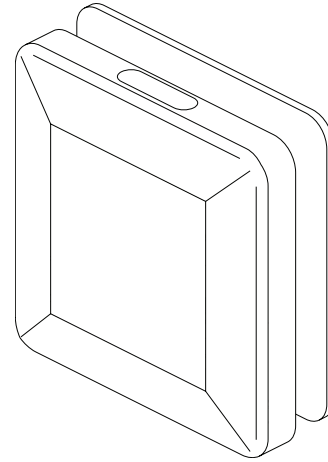
Date of Purchase: _____
Fecha de compra
Date d'achat

Register Online
Regístrese en línea
S'enregistrer en ligne
www.deltafaucet.com/service-parts/product-registration

To reference replacement parts and access additional technical documents and product info, visit www.deltafaucet.com/service-parts

Para referencia sobre las piezas de repuesto y acceder a documentos técnicos adicionales e información del producto, visite www.deltafaucet.com/service-parts

Pour obtenir la référence des pièces de rechange ainsi que pour avoir accès à d'autres documents techniques et renseignements sur le produit, allez à www.deltafaucet.com/service-parts



1-800-394-6478
www.deltafaucet.com/service-parts/contact-us/

Read all instructions prior to installation.

⚠ CAUTION

Failure to read these instructions prior to installation may result in personal injury, property damage, or product failure. Manufacturer assumes no responsibility for product failure due to improper installation.

Lea todas las instrucciones antes de hacer la instalación.

⚠ ADVERTENCIA

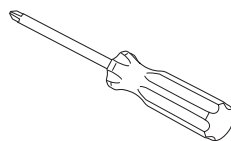
El no leer estas instrucciones de instalación puede resultar en lesiones personales, daños a la propiedad, o falla en el funcionamiento del producto. El fabricante no asume ninguna responsabilidad por la falla del producto debido a una instalación incorrecta.

Veuillez lire toutes les instructions avant l'installation.

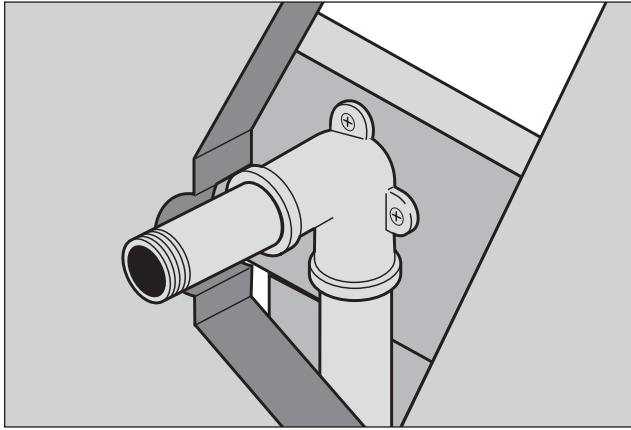
⚠ AVERTISSEMENT

L'omission de lire les présentes instructions avant l'installation peut entraîner des blessures, des dommages matériels ou le bris du produit. Le fabricant se dégage de toute responsabilité à l'égard d'un bris du produit causé par une mauvaise installation.

You may need:
Usted puede necesitar:
Articles dont vous pouvez avoir besoin :



1 Rough In Steam Line (not supplied) Línea de vapor dentro de las paredes (no incluida) Tuyauterie de vapeur (non fournie)



Prior to steam head installation, Install rough plumbing line to desired location. The steam head must be installed to a 3/4" NPT copper or brass pipe; do NOT use black iron or galvanized pipe, it will rust and discolor the steam bath wall. Do NOT use plastic supply pipes or fittings.

NOTE: Supply elbow and steam supply pipe MUST BE SECURELY ANCHORED to ridged blocking.

The steam head location should be 12" to 18" above the shower floor or 6" above the rim of the bathtub, as far from the seating area as possible.

Antes de la instalación del cabezal de vapor, instale la línea de plomería en bruto en la ubicación deseada. El cabezal de vapor debe estar instalado en un 3/4" NPT; NO use hierro negro o tubería galvanizada, se oxidará y decolorará la pared del baño de vapor. NO use tuberías o accesorios de suministro plásticos.

NOTA: El codo de suministro y la tubería de suministro de vapor DEBEN ESTAR FIRMEAMENTE ANCLADOS al bloque estriado.

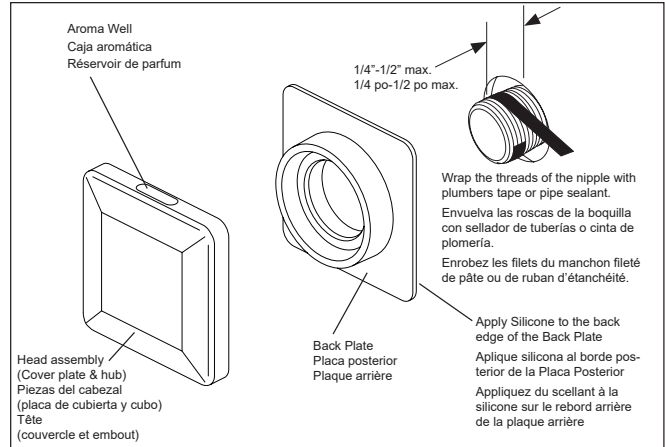
La ubicación del cabezal de vapor debe estar entre 12" y 18" por encima del piso de la regadera o 6" por encima del borde de la bañera, lo más lejos posible del área para sentarse.

Avant l'installation de la tête de vapeur, installez une ligne de plomberie rugueuse à l'endroit souhaité. La tête de vapeur doit être installée sur un 3/4 po NPT. N'UTILISEZ PAS un tuyau de fer ni un tuyau galvanisé. La rouille qui se formera dans ce tuyau tachera le mur du bain de vapeur. N'UTILISEZ PAS des tuyaux d'alimentation et des raccords en plastique.

NOTE : Le coude et le tuyau d'alimentation en vapeur DOIVENT ÊTRE FIXÉS SOLIDEMENT à l'entretoise.

La tête de vapeur doit se situer à une hauteur de 12 po à 18 po au-dessus du plancher de la douche ou à 6 po au-dessus du rebord de la baignoire et aussi loin de la place assise de l'utilisateur que possible.

2 Steam Head Installation Instalación del cabezal de vapor Installation de la tête de vapeur



1. Make sure the 3/4" nipple protrudes beyond the tile 1/4" to 1/2" (6-12 mm).
2. Keep opening in finished wall close as possible to pipe nipple with no more than 1/2" gap.

IMPORTANT: If the nipple protrudes beyond 1/2" the O-ring will not make a proper seal and the nipple will have to be adjusted.

3. Wrap the threads of the nipple with plumber's tape or use pipe sealant.
4. Make sure the steam head will line up in the upright position when tightened. The steam head should only be firmly hand tight. Using a wrench on the head may damage it. Screw the steam head on to the nipple and see how it lines up. Once a proper alignment is made remove the steam head.

1. Asegúrese de que la enterrosca de 3/4" sobresalga más allá de la baldosa de 1/4" a 1/2" (6-12 mm).
2. Mantenga la abertura en la pared acabada lo más cerca posible a la enterrosca de la tubería sin no más de 1/2" espacio.

IMPORTANTE: Si la enterrosca sobresale más de 1/2", la junta tórica no sellará correctamente y será necesario ajustar la enterrosca

3. Envuelva las roscas de la enterrosca con cinta de plomero o use sellador de tuberías.
4. Asegúrese de que el cabezal de vapor se alinee en posición vertical cuando esté apretado. El cabezal de vapor solo debe apretarse firmemente a mano. Usar una llave en el cabezal puede dañarlo. Enrosque el cabezal de vapor en la enterrosca y fíjese cómo se alinea. Una vez que se haya realizado una alineación adecuada, retire el cabezal de vapor.

1. Assurez-vous que le manchon fileté de 3/4 po présente une saillie de 1/4 po à 1/2 po (6-12 mm) par rapport aux carreaux.
2. Assurez-vous que l'écart entre le mur fini et le manchon fileté ne dépasse pas 1/2 po.

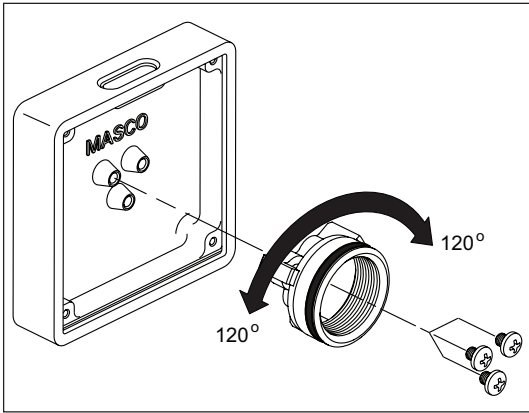
IMPORTANT : Si la saillie du manchon fileté est supérieure à 1/2 po, le joint torique n'assurera pas l'étanchéité et le manchon devra être ajusté.

3. Enrobez les filets du manchon fileté de ruban ou de pâte d'étanchéité.
4. Prenez soin d'orienter la tête de vapeur vers le haut en la serrant. La tête de vapeur doit être serrée fermement, à la main seulement. L'utilisation d'une clé pourrait l'endommager. Vissez la tête de vapeur sur le manchon et vérifiez son positionnement. Une fois qu'elle est bien positionnée, retirez-la.

NOTE: The steam head has been designed with a 360 degree dispersion of steam to improve steam circulation and to minimize the hotspots created with the traditional steam heads. For maximum comfort the steam head should always be located as far from the seating area as possible. Should the location of the steam head necessitate blocking the steam from a particular direction to improve bather comfort, the supplied deflector plate can be added to any of the three sides shown to help divert the steam away from the bather. The deflector is attached to the back side of the head before installation with 2 stainless steel screws provided. (See Option Installation, Deflector section on next page).

NOTA: El cabezal de vapor se ha diseñado con una dispersión de vapor de 360 grados para mejorar la circulación del vapor y minimizar los puntos calientes creados con los cabezales de vapor tradicionales. Para una máxima comodidad, el cabezal de vapor siempre debe ubicarse lo más lejos posible del área de asientos. Si la ubicación del cabezal de vapor requiere bloquear el vapor desde una dirección particular para mejorar la comodidad del bañista, puede agregar la placa deflectora suministrada a cualquiera de los tres lados que se muestran para ayudar a desviar el vapor lejos del bañista. El deflector se fija a la parte trasera del cabezal antes de la instalación con los 2 tornillos de acero inoxidable incluidos. (Consulte la sección Instalación de opciones, Deflector en la página siguiente).

NOTE : La tête de vapeur a été conçue pour disperser la vapeur sur 360 degrés afin d'améliorer la circulation et de limiter les points chauds créés par les têtes de vapeur classiques. Pour que le confort soit optimal, la tête de vapeur doit se trouver aussi loin que possible de la place assise. Si, en raison de l'emplacement de la tête de vapeur, une sortie de vapeur doit être bloquée pour éviter que la vapeur soit dirigée directement vers l'utilisateur, le déflecteur fourni peut être ajouté sur n'importe quel des trois côtés. Il suffit de le fixer à la face arrière de la tête avant l'installation avec les deux vis en acier inoxydable fournies. (voir la section Déflecteur à la rubrique Installation facultative sur la page suivante).



NOTE: If necessary the head can be repositioned by disassembling the hub from the cover and selecting one of the two alternate positions.

1. Re-apply sealant tape if necessary.
2. Place a bead of silicone around the pipe, sealing the pipe to the wall.
3. Place a bead of silicone around the back outer edge of the back plate.
4. Center and square the back plate over the nipple. While holding the head in place, attach the nipple by hand tightening the screws to the head.
5. Adjust the back plate and head to line up squarely. Remove any excess silicone with rubbing alcohol.

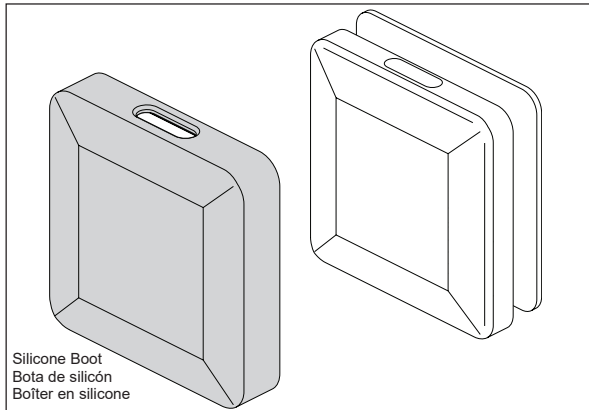
NOTA: Si es necesario el cabezal se puede repositionar desmontando el cubo de la cubierta y seleccionando una de las dos posiciones alternas.

1. Si es necesario, vuelva a aplicar cinta selladora.
2. Coloque un cordón de silicona alrededor de la tubería, sellando la tubería a la pared.
3. Coloque una gota de silicona alrededor del borde exterior trasero de la placa trasera.
4. Centre y escuadre la placa trasera sobre la entrerroscá. Mientras mantiene la cabeza en su lugar, fije el pezón apretando a mano los tornillos a la cabeza.
5. Ajuste la placa trasera y el cabezal para que queden alineados. Retire cualquier exceso de silicona con alcohol isopropílico.

NOTE: Au besoin, vous pouvez repositionner la tête en retirant l'embout du couvercle et en sélectionnant une des deux positions de rechange.

1. Réappliquez du ruban d'étanchéité au besoin.
2. Appliquez un cordon de scellant à la silicone autour du tuyau pour assurer l'étanchéité entre celui-ci et le mur.
3. Appliquez un cordon de scellant à la silicone sur le rebord extérieur arrière de la plaque arrière.
4. Centrez la plaque arrière sur le manchon et mettez-la d'équerre. Tout en maintenant la tête en place, fixez le mamelon à la main en serrant les vis à la tête.
5. Ajustez la plaque arrière et la tête pour qu'elles soient d'équerre. Enlevez le surplus de scellant à la silicone avec de l'alcool à friction.

3 Optional Installation Instalación opcional Installation facultative

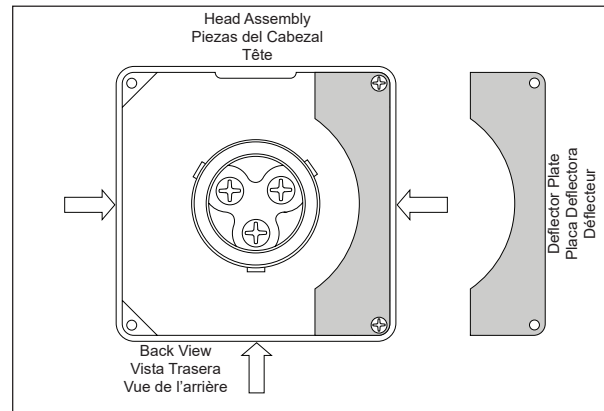


Silicone Boot
Bota de silicon
Boîtier en silicone

IMPORTANT: A silicone boot is provided and should be installed to protect against accidental contact with the hot surface temperature of the steam head, which can reach approximately 212° during operation.

IMPORTANT: Se proporciona una bota de silicona y debe instalarse para proteger contra el contacto accidental con la temperatura de la superficie caliente del cabezal de vapor, que puede alcanzar aproximadamente 212° durante la operación.

IMPORTANT : Un boîtier en silicone est fournie et doit être installée pour protéger contre tout contact accidentel avec la température de surface chaude de la tête de vapeur, qui peut atteindre environ 212° pendant le fonctionnement.



If needed to improve bather comfort the included optional steam deflector can be installed to block the flow of steam from any of the shown sides of the steam head.

Si es necesario para mejorar la comodidad del bañista, se puede instalar el deflector de vapor opcional que se incluye para bloquear el flujo de vapor desde cualquiera de los lados mostrados del cabezal de vapor.

Au besoin, pour améliorer le confort de l'utilisateur, le déflecteur peut être installé afin d'empêcher la vapeur de jaillir par l'un ou l'autre des côtés de la tête de vapeur montrés sur la figure.

Limited Warranty on Delta® Steam Bath and Steam Shower Products
Applicable to products purchased and installed in the USA and Canada

Residential Steam Bath Generators: Delta Faucet Company ("DFC") warrants to the original consumer purchaser that the parts (except for electronic parts) of its residential steam bath generator purchased from authorized Delta sellers will be free from defects in materials and workmanship for as long as the original consumer purchaser owns the home in which the steam bath was originally installed. This lifetime limited warranty does not apply to residential steam bath generators that are used in commercial applications (as defined herein).

Residential Electronic Parts, Controls, Spa Options and Accessories: DFC warrants to the original consumer purchaser that the electronic parts of its steam bath generator and its controls, spa options and accessories purchased from authorized Delta sellers will be free from defects in materials and workmanship for a period of two (2) years from the date that the product is received by the original consumer purchaser or their authorized representative (installation contractor, etc.). This two-year limited warranty does not apply to controls, spa options, electronic parts and accessories that are used in commercial applications (as defined herein).

Commercial Warranty: For the purposes of this warranty the term "commercial application" refers to installation in any setting in which the product is not being used for personal household use, including but not limited to hospitality applications, day spas, short-term and long-term rentals and gyms. DFC warrants that the parts (including electronic parts) of its steam bath generators (including steam bath generators with model numbers beginning with 5COM, which are intended solely for heavy commercial use), equipment, controls, electronic parts, spa options and accessories purchased from authorized Delta sellers and used in a commercial application will be free from defects in materials and workmanship for a period of one (1) year from the date that the product is received by the original purchaser or their authorized representative (installation contractor, etc.).

What We Will Do: DFC will, at its option, repair or replace, free of charge, any part that proves defective in material and/or workmanship under normal installation, use and service during the applicable warranty period as stated above. DFC may elect to refund the purchase price. Replacement parts are subject to availability and may differ from those originally supplied.

For residential applications, two (2) years following the date that the product was received by the original consumer purchaser or their authorized representative (installation contractor, etc.), and with prior approval by DFC, DFC will pay for labor for repair/replacement associated with warranty coverage. Thereafter, DFC will not pay for labor associated with removal/repair/replacement of products covered by this warranty.

For commercial applications, DFC will, with prior approval by DFC, pay for labor associated with warranty coverage for ninety (90) days from the date that the product is received by the original purchaser or their authorized representative (installation contractor, etc.). Thereafter, DFC will not pay for labor associated with removal/repair/replacement of products covered by this warranty. **These are the consumer's exclusive remedies.**

What Is Not Covered: Because DFC is unable to control the quality of Delta products sold by unauthorized sellers, unless otherwise prohibited by law, this warranty does not cover Delta products purchased from unauthorized sellers.

This warranty does not cover damage caused by improper or negligent installation or use. Provided that DFC is paying the cost of the labor under the terms above, this warranty does not cover repairs attempted by any person other than an authorized DFC agent and shall be limited to the repair or replacement of defective parts by DFC or its authorized agent.

This warranty is void if any of the following should occur:

- The use of the product for an unintended application, including the commercial application of a product that is not intended for commercial use.
- Failure to follow instructions, including care, cleaning and usage instructions, provided in the product's owner's manual.
- The product's serial number has been altered or removed.
- The product is modified in any manner which DFC concludes, after its inspection, affects the reliability of the product.
- The product has been improperly repaired by anyone not specifically designated or authorized by DFC.
- The product is damaged because it is not operated or installed in accordance with supplied instructions.
- The product is installed outdoors.
- The product is installed in a moist and/or humid area with unconditioned air or temperatures that exceed 104 degrees Fahrenheit.
- The product is damaged due to freezing.
- The product is damaged by acts of God.

How to Make a Warranty Claim: To obtain warranty repair or replacement, contact DFC at: 800-394-6478 or steam-prodserv@deltafaucet.com to receive an RGA# (Return Goods Authorization number) which must be on the carton that is returned via UPS Ground or equivalent. Proof of purchase (original sales receipt showing purchase date) identifying the model and serial number and documentation of the date of receipt of the product by the original purchaser or their authorized representative (installation contractor, etc.) must accompany all warranty claims.

Limitation on Duration of Implied Warranties: Please note that some states/provinces (including Quebec) do not allow limitations on how long an implied warranty lasts, so the below limitations may not apply to you. TO THE MAXIMUM EXTENT PERMITTED BY APPLICABLE LAW, ANY IMPLIED WARRANTY, INCLUDING THE IMPLIED WARRANTIES OF MERCHANTABILITY AND OF FITNESS FOR A PARTICULAR PURPOSE, IS LIMITED TO THE STATUTORY PERIOD OR THE DURATION OF THIS WARRANTY, WHICHEVER IS SHORTER.

Limitation of Special, Incidental or Consequential Damages: Please note that some states/provinces (including Quebec) do not allow the exclusion or limitation of special, incidental or consequential damages, so the below limitations and exclusions may not apply to you. TO THE MAXIMUM EXTENT PERMITTED BY APPLICABLE LAW, THIS WARRANTY DOES NOT COVER, AND DFC SHALL NOT BE LIABLE FOR, ANY SPECIAL, INCIDENTAL OR CONSEQUENTIAL DAMAGES WHETHER ARISING OUT OF BREACH OF ANY EXPRESS OR IMPLIED WARRANTY, BREACH OF CONTRACT, TORT, OR OTHERWISE.

Additional Rights: This warranty gives you specific legal rights, and you may also have other rights which vary from state/province to state/province. This is DFC's exclusive written warranty and the warranty is not transferable.

Garantía limitada de los productos Delta® Steam Bath y Steam Shower
Aplicable a productos comprados e instalados en EE. UU. y Canadá

Generadores de baños de vapor residenciales: Delta Faucet Company ("DFC") garantiza al comprador consumidor original que las partes (excepto las partes electrónicas) de su generador de baño de vapor residencial comprado a vendedores autorizados de Delta estarán libres de defectos en materiales y de fabricación durante el tiempo que el comprador consumidor original es dueño de la casa en la que se instaló originalmente el baño de vapor. Esta garantía limitada de por vida no se aplica a los generadores de baños de vapor residenciales que se utilizan en aplicaciones comerciales (como se define en este documento).

Piezas electrónicas residenciales, controles, opciones de spa y accesorios: DFC garantiza al comprador consumidor original que las partes electrónicas de su generador de baño de vapor y sus controles, opciones de spa y accesorios comprados a vendedores autorizados de Delta estarán libres de defectos en materiales y de fabricación durante un período de dos (2) años a partir de la fecha que el producto es recibido por el comprador consumidor original o su representante autorizado (contratista de instalación, etc.). Esta garantía limitada de dos años no se aplica a los controles, las opciones de spa, las piezas electrónicas y los accesorios que se utilizan en aplicaciones comerciales (como se define en este documento).

Garantía Comercial: A los efectos de esta garantía, el término "aplicación comercial" se refiere a la instalación en cualquier entorno en el que el producto no se utilice para uso doméstico personal, incluidas, entre otras, aplicaciones de hospitalidad, spas de día y servicios a corto y largo plazo, alquileres a plazo y gimnasios. DFC garantiza que las piezas (incluidas las piezas electrónicas) de sus generadores de baños de vapor (incluidos los generadores de baños de vapor con números de modelo que comienzan con 5COM, que están destinados únicamente para un uso comercial pesado), los equipos, controles, piezas electrónicas, opciones de spa y accesorios comprados a vendedores autorizados de Delta y utilizados en una aplicación comercial estarán libres de defectos de materiales y mano de obra durante un período de un (1) año a partir de la fecha en que el comprador original o su representante autorizado (contratista de instalación, etc.) recibió el producto.

Lo que haremos: DFC, a su elección, reparará o reemplazará, sin cargo, cualquier pieza que presente defectos de material y/o de fabricación en condiciones normales de instalación, uso y servicio durante el período de garantía aplicable como se indicó anteriormente. DFC puede optar por reembolsar el precio de compra. Las piezas de repuesto están sujetas a disponibilidad y pueden ser diferentes a las suministradas originalmente. Para aplicaciones residenciales, dos (2) años a partir de la fecha en que el producto fue recibido por el comprador consumidor original o su representante autorizado (contratista de instalación, etc.), y con la aprobación previa de DFC, DFC pagará la mano de obra para la reparación/reemplazo asociada con la cobertura de la garantía. A partir de entonces, DFC no pagará la mano de obra asociada con la extracción/reparación/reemplazo de los productos cubiertos por esta garantía. Para aplicaciones comerciales, DFC, con la aprobación previa de DFC, pagará la mano de obra asociada con la cobertura de la garantía durante noventa (90) días a partir de la fecha en que el comprador original o su representante autorizado (contratista de instalación, etc.) reciba el producto. A partir de entonces, DFC no pagará la mano de obra asociada con la extracción/reparación/reemplazo de los productos cubiertos por esta garantía. **Estos son recursos exclusivos del consumidor.**

Lo que no está cubierto: Debido a que DFC no puede controlar la calidad de los productos DFC vendidos por vendedores no autorizados, a menos que la ley lo prohíba, esta garantía no cubre los productos DFC comprados a vendedores no autorizados. Esta garantía no cubre los daños causados por una instalación o uso inadecuado o negligente. Siempre que DFC pague el costo de la mano de obra según los términos anteriores, esta garantía no cubre las reparaciones intentadas por cualquier persona que no sea un agente autorizado de DFC y se limitará a la reparación o reemplazo de piezas defectuosas por parte de DFC o su agente autorizado.

Esta garantía queda anulada si ocurre cualquiera de lo siguiente:

- El uso del producto para una aplicación no prevista, incluida una aplicación de un producto que no está destinado para uso comercial.
- No seguir las instrucciones, incluidas las instrucciones de cuidado, limpieza y uso, proporcionadas en el manual del propietario del producto.
- El número de serie del producto ha sido alterado o eliminado.
- El producto se modifica de cualquier manera que DFC concluya, después de su inspección, que afecta la confiabilidad del producto.
- El producto ha sido reparado incorrectamente por alguien que no ha sido específicamente designado o autorizado por DFC.
- El producto está dañado porque no se operó o instaló de acuerdo con las instrucciones proporcionadas.
- El producto está instalado al aire libre.
- El producto está instalado en un área húmeda y/o húmeda con aire no acondicionado o temperaturas que exceden los 104 grados Fahrenheit.
- El producto está dañado debido a la congelación.
- El producto está dañado por fuerza mayor.

Cómo hacer un reclamo de garantía: Para obtener reparación o reemplazo en garantía, comuníquese con Delta al: 800-355-6478 o steam-prodserv@deltafaucet.com para recibir un RGA# (Número de autorización de devolución de mercancías) que debe estar en la caja que se devuelve a través de UPS Ground o el equivalente. El comprobante de compra (recibo de compra original que muestre la fecha de compra) que identifique el modelo y el número de serie y la documentación de la fecha de recepción del producto por parte del comprador original o su representante autorizado (contratista de instalación, etc.) debe acompañar todos los reclamos de garantía.

Limitación de la duración de las garantías implícitas: Tenga en cuenta que algunos estados/provincias (incluido Quebec) no permiten limitaciones sobre la duración de una garantía implícita, por lo que es posible que las siguientes limitaciones no se apliquen en su caso. EN LA MEDIDA MÁXIMA PERMITIDA POR LA LEY APLICABLE, CUALQUIER GARANTÍA IMPLÍCITA, INCLUIDAS LAS GARANTÍAS IMPLÍCITAS DE COMERCIABILIDAD E IDONEIDAD PARA UN FIN DETERMINADO, SE LIMITA AL PERÍODO LEGAL O A LA DURACIÓN DE ESTA GARANTÍA, EL QUE SEA MÁS BREVE.

Limitación de daños especiales, incidentales o consecuentes: Tenga en cuenta que algunos estados/provincias (incluido Quebec) no permiten la exclusión o limitación de daños especiales, incidentales o consecuentes, por lo que es posible que las siguientes limitaciones y exclusiones no se apliquen en su caso. EN LA MEDIDA MÁXIMA PERMITIDA POR LA LEY APLICABLE, ESTA GARANTÍA NO CUBRE, Y DFC NO SERÁ RESPONSABLE DE NINGÚN DAÑO ESPECIAL, INCIDENTAL O CONSECUENTE QUE SURJA DEL INCUMPLIMIENTO DE CUALQUIER GARANTÍA EXPLÍCITA O IMPLÍCITA, INCUMPLIMIENTO DE CONTRATO, AGRAVIO O DE OTRA MANERA.

Derechos adicionales: Esta garantía le otorga derechos legales específicos, y es posible que también tenga otros derechos que varían de un estado/provincia a otro estado/provincia. Esta es la garantía escrita exclusiva de Delta y la garantía no es transferible.

Garantie limitée des douches à vapeur et des bains de vapeur Delta®
Applicable aux produits achetés et installés aux États-Unis et au Canada

Générateurs pour bain de vapeur résidentiel: Delta Faucet Company (« DFC ») garantit à l'acheteur au détail initial que les pièces (sauf les pièces électroniques) de ce générateur pour bain de vapeur résidentiel achetées de vendeurs Delta autorisés sont exemptes de matériaux défectueux et de vices de fabrication. Cette garantie à vie limitée est valide aussi longtemps que l'acheteur au détail initial possède la maison dans laquelle le bain de vapeur a été installé. Elle ne s'applique pas aux générateurs pour bain de vapeur résidentiels utilisés dans des applications commerciales (définies dans le présent document).

Pièces électroniques, commandes, options de spa et accessoires résidentiels: DFC garantit à l'acheteur au détail initial que les pièces électroniques de son générateur pour bain de vapeur ainsi que les commandes, les options de spa et les accessoires achetés de vendeurs Delta autorisés seront exempts de matériaux défectueux et de vices de fabrication pendant une période de deux (2) ans calculée à compter de la date de réception du produit par l'acheteur au détail initial ou son représentant autorisé (entrepreneur chargé de l'installation, etc.). Cette garantie limitée de deux ans ne s'applique pas aux commandes, aux options de spa, aux pièces électroniques et aux accessoires qui sont utilisés dans des applications commerciales (définies dans le présent document).

Garantie pour les applications commerciales: Dans le libellé de la présente garantie, « applications commerciales » désigne toute installation dans des lieux où le produit n'est pas utilisé par un ménage, y compris, sans s'y limiter, les lieux d'accueil, les spas de jour, les lieux d'hébergement loués à court et à long termes ainsi que les salles de conditionnement physique.

DFC garantit que les pièces (y compris les pièces électroniques) de ses générateurs pour bain de vapeur (y compris les générateurs pour bain de vapeur dont le numéro de modèle débute par 5COM), l'équipement, les commandes, les pièces électroniques, les options de spa et les accessoires achetés de vendeurs Delta autorisés et utilisés dans des applications commerciales seront exemptes de matériaux défectueux et de vices de fabrication pendant une période d'un (1) an calculée à compter de la date de réception du produit par l'acheteur initial ou son représentant autorisé (entrepreneur chargé de l'installation, etc.).

Ce que nous ferons: À sa discrétion, DFC réparera ou remplacera, sans frais, toute pièce ayant été installée, utilisée et entretenue normalement qui comportera un matériau défectueux et/ou présentera un vice de fabrication pendant la période de garantie susmentionnée. DFC pourra décider de rembourser le prix d'achat. Les pièces de rechange seront fournies sous réserve de leur disponibilité et elles pourront être différentes de celles fournies initialement.

Dans le cas des applications résidentielles, au cours de la période de deux (2) ans qui suivra la réception du produit par l'acheteur au détail initial ou son représentant autorisé (entrepreneur chargé de l'installation, etc.) et sous réserve de l'approbation au préalable de DFC, DFC paiera la main-d'œuvre pour la réparation ou le remplacement des produits aux termes de la garantie. Par la suite, DFC ne paiera pas la main-d'œuvre nécessaire pour la dépose et la réparation ou le remplacement des produits couverts par la présente garantie.

Dans le cas des applications commerciales, DFC paiera, sous réserve de l'approbation au préalable de DFC, la main-d'œuvre associée à la couverture de la garantie pendant une période de quatre-vingt-dix (90) jours calculée à compter de la date de réception du produit par l'acheteur initial ou son représentant autorisé (entrepreneur chargé de l'installation, etc.). Par la suite, DFC ne paiera pas la main-d'œuvre nécessaire pour la dépose et la réparation ou le remplacement des produits couverts par la présente garantie. **Il s'agit des seuls recours du consommateur.**

Ce qui n'est pas couvert: Étant donné que DFC est incapable de contrôler la qualité des produits vendus par des vendeurs non autorisés, la présente garantie ne couvre pas les produits Delta vendus par des vendeurs non autorisés, à moins qu'une telle restriction soit interdite par la loi.

La présente garantie ne couvre pas les dommages causés par une installation ou une utilisation inappropriée ou négligente. Étant donné que DFC paie le coût de la main-d'œuvre selon les modalités susmentionnées, la présente garantie ne couvre pas les réparations effectuées par une personne autre qu'un agent autorisé DFC et elle se limite à la réparation ou au remplacement des pièces défectueuses par DFC ou son agent autorisé.

La présente garantie ne s'applique pas dans l'une ou l'autre des circonstances suivantes :

- L'utilisation du produit pour une application à laquelle il n'est pas destiné, y compris une application commerciale si le produit n'est pas destiné à un usage commercial.
- L'omission de respecter les instructions, notamment les instructions d'entretien, de nettoyage et d'utilisation, contenues dans le manuel du propriétaire du produit.
- Le numéro de série a été altéré ou effacé.
- Le produit a été modifié d'une manière quelconque qui, de l'avis de DFC, après inspection du produit, compromet la fiabilité de celui-ci.
- Le produit a été réparé incorrectement par une personne quelconque qui n'est pas désignée ou autorisée expressément par DFC.
- Le produit est endommagé parce qu'il n'a pas été installé conformément aux instructions fournies.
- Le produit est installé à l'extérieur.
- Le produit est installé dans un environnement humide et l'air n'est pas climatisé ou la température excède 40 degrés Celsius (104 degrés Fahrenheit).
- Le produit a été endommagé par le gel.
- Le produit a été endommagé en raison d'un acte fortuit.

Comment faire une réclamation aux termes de la garantie: Pour faire réparer ou remplacer le produit aux termes de la garantie, communiquez avec DFC au 800-394-6478 ou à steam-prodserv@deltafaucet.com afin d'obtenir un numéro d'autorisation de retour qui devra se trouver dans l'emballage retourné par l'intermédiaire de UPS Ground ou l'équivalent. La preuve d'achat (original du reçu montrant la date d'achat) indiquant le modèle et le numéro de série ainsi que la documentation indiquant la date de réception par l'acheteur initial ou son représentant autorisé (entrepreneur chargé de l'installation, etc.) doivent accompagner toutes les réclamations aux termes de la garantie.

Limitation de la durée des garanties implicites: Veuillez noter qu'il est interdit dans certains États et certaines provinces (y compris le Québec) de limiter la durée d'une garantie implicite. Par conséquent, les limites mentionnées ci-dessous peuvent ne pas s'appliquer à vous. **DANS LA MESURE DE CE QUI EST PERMIS PAR LA LOI APPLICABLE, TOUTES LES GARANTIES IMPLICITES, Y COMPRIS LE GARANTIES IMPLICITES DE QUALITÉ MARCHANDE ET D'ADÉQUATION À UN USAGE PARTICULIER, SE LIMITENT À LA PÉRIODE FIXÉE PAR LA LOI OU À LA DURÉE DE LA PRÉSENTE GARANTIE, LA PLUS COURTE DES DEUX PÉRIODES S'APPLIQUANT.**

Limitation des dommages particuliers, consécutifs ou indirects: Veuillez noter qu'il est interdit dans certains États et certaines provinces (y compris le Québec) d'exclure ou de limiter les dommages particuliers, consécutifs ou indirects. Par conséquent, les exclusions et les limites mentionnées ci-dessous peuvent ne pas s'appliquer à vous. **DANS LA MESURE DE CE QUI EST PERMIS PAR LE DROIT APPLICABLE, DFC SE DÉGAGE DE TOUTE RESPONSABILITÉ À L'ÉGARD DES DOMMAGES PARTICULIERS, CONSÉCUTIFS OU INDIRECTS, PEU IMPORTE QU'ILS DÉCOULENT D'UNE RUPTURE D'UNE GARANTIE IMPLICITE OU EXPLICITE, D'UNE RUPTURE DE CONTRAT, D'UN DÉLIT CIVIL OU D'UNE AUTRE CAUSE, ET CES DOMMAGES NE SONT PAS COUVERTS PAR LA GARANTIE.**

Droits supplémentaires: La présente garantie vous procure des droits particuliers reconnus par la loi. Vous pouvez aussi avoir d'autres droits qui varient selon l'État ou la province. La présente garantie écrite est la seule garantie offerte par DFC et elle n'est pas transférable.