

BRIZO®

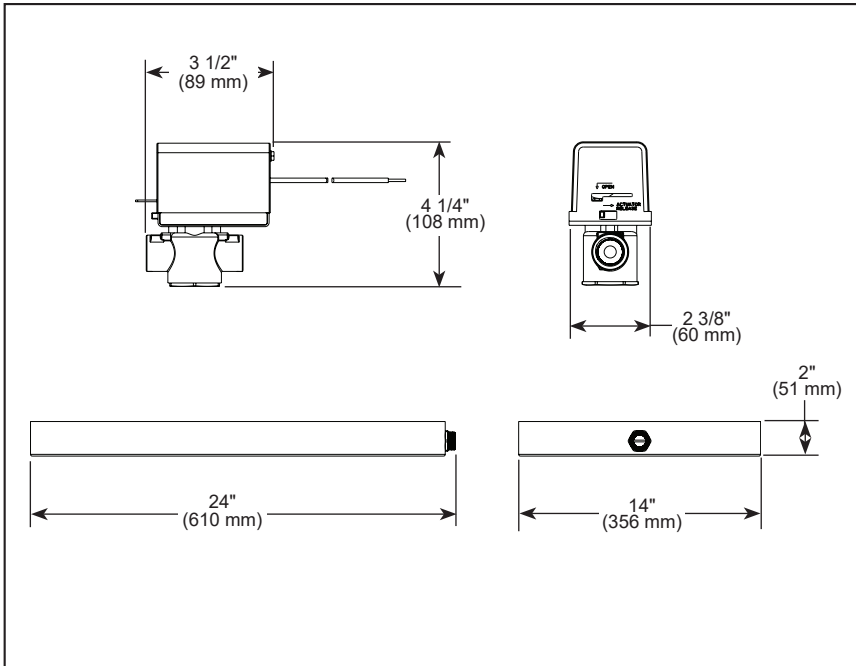
GENERATOR PAN AND AUTO DRAIN XL

GENERATOR PAN XL STANDARD SPECIFICATIONS:

- Galvanized Steel
- Package includes: Pan with 3/4" MGHT male threaded NPT and 1/2" NPT Female brass connection
- For use with 8GE-TSG(20-30) series steam generators

AUTO DRAIN STANDARD SPECIFICATIONS:

- Connects to a factory installed auto drain PCB terminal block, located inside the generator cabinet
- Inlet & Outlet - 1/2" NPT brass female thread
- For use with 8GE-TSG(20-30) series steam generators
- Normally Closed (N.C.) Valve



WARRANTY

- Please see separate warranty documentation