



saunum

Saunum Air L

ENG, FRA





Saunum Air L

- INSTRUCTIONS FOR USE AND INSTALLATION
- INSTRUCTIONS D'UTILISATION ET D'INSTALLATION



saunum

Saunum Air L 10, Air L 13, Air L 15
heater with a sauna room indoor heat equalizer

ENG

INSTRUCTION FOR USE AND INSTALLATION



THE BEST SAUNA EXPERIENCE



I am very glad that you have invested in the Saunum device, and I believe that our innovative technology will offer you a wonderful and extraordinary sauna experience.

I have a degree in thermal engineering and come from the Southern Estonia, where my love for saunas began. The special feature of local historic smoke saunas is the lower temperature and higher humidity level than, for example, a classic Finnish sauna. In ordinary saunas, the stone volume of the sauna heater is generally small. Such an arrangement can cause a sudden, burning hot steam and an extremely uneven temperature, where your head and shoulder level is really hot, but your feet are left cold. Such an experience can be quite unpleasant and may cause headaches and lead to body stress. However, in ancient smoke saunas and Native American saunas, the stones were first heated during the day. Then the heat stored in the stones was used to cleanse the body and create a truly enjoyable sauna experience.

Inspired by the experience of a smoke sauna, I wanted to create an innovative solution that combines the best features of an authentic sauna with modern technology; enabling a pleasantly mild and relaxing sauna experience without painfully scorching steam. For that, however, I had to solve the problem of how to achieve an even temperature, at both the head and foot levels. My development work was supported by research done alongside Tallinn University of Technology in



which we analyzed the thermal stratification and air movement in the sauna room. Saunum was born in cooperation between scientific thinking and technological innovation.

Saunum's unique patented mixing system of air layers captures the hot steam that rises under the ceiling of the sauna room, mixes it with the cooler air from the surface of the floor, and directs the milder steam back evenly. This makes for an enjoyable, unaggressive heat. You can sit in the sauna for a longer time, and enjoy a sweat and a deep cleanse without feeling tired. The stone volume of our heaters is significantly larger than other sauna heaters, which is the reason for the especially pleasant indoor climate with long and soft steam.

A moist steamy sauna, a sanarium, a therapeutic salt sauna, or a healthy aroma sauna – all of these functions are available on Saunum's devices to create a truly relaxing sauna experience. When using Himalayan salt orbs in our device, salt ions that are beneficial to skin and respiratory tract evaporate and the steam circulates these into the air. Adding a sauna aroma system that blends steam and healthy aroma oil creates an even more enjoyable sauna environment.

Saunum's sauna devices are suitable for both adults and children.

Have a pleasant sauna!

Andrus Vare
The creator of Saunum



saunum

Saunum

congratulates you

on choosing a heater with
an innovative sauna room
indoor Heat Equalizer!



CONTENTS

Safety information _____	10
DIRECTION FOR USE	
Heating the sauna room _____	14
Using the sauna climate device _____	14
Adjusting the temperature _____	15
Regulation of the sauna _____	15
Use of Himalayan salt _____	15
Ladling water on the heater _____	16
Loading the stones _____	16
Warnings _____	17
Solving problems _____	18
Maintenance _____	20
Sauna room _____	21
Sauna room ventilation _____	21
Sizing your sauna _____	22
INSTALLING	
Before the installation _____	24
Dimensions _____	25
Product completeness _____	26
Parts of the device _____	27
Installation instructions _____	28
Electrical connection _____	34
Thermal cutoff _____	37
Electric heater insulation resistance _____	38
Installing and replacing the heating elements _____	38
Warranty _____	41
Installation Report _____	



These instructions for installation and use are intended for the sauna owner or maintenance provider, as well as the electrician responsible for installing the Saunum Air L heater with a sauna room indoor climate device. After installing the heater with an indoor climate device, the instructions must be handed over to the owner or maintenance provider.

Before using the **Saunum Air L** heater with an indoor heat equalizer, read the installation and safety instructions.

The Saunum Air is intended for heating the sauna room at 140–194 °F and for levelling the sauna room climate during steaming.

Please note! The heat equalizing module and the heater of the sauna must not be operated in temperatures exceeding 194 °F/90 °C!



NB! Do not use the Saunum Air L for any other purposes!

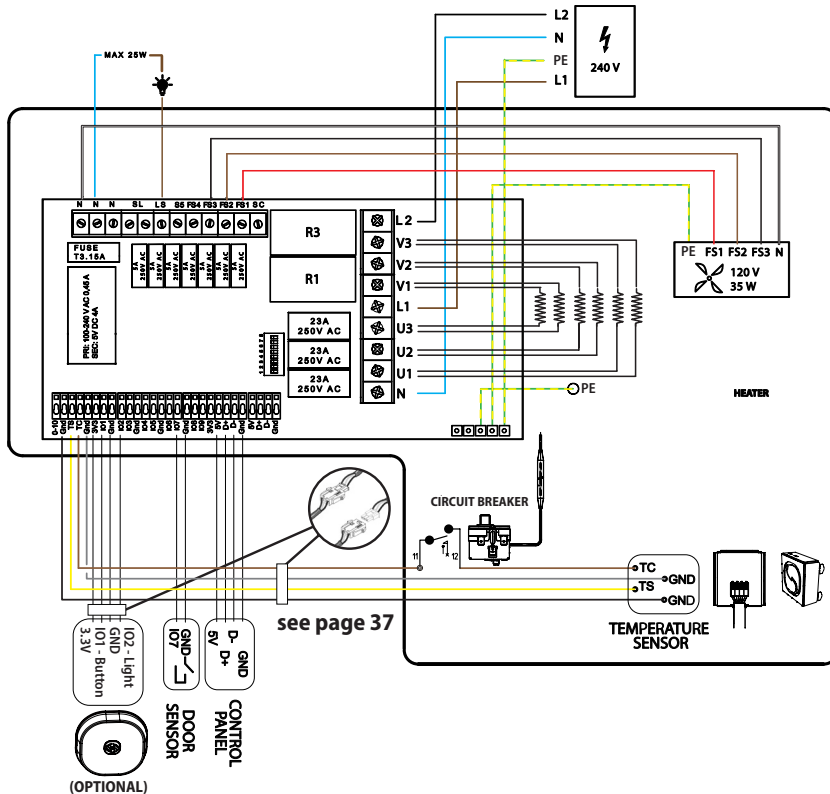


To connect the Saunum Air L to the power network, a control device for the control of electric heaters is required. The control device must correspond to the power of the heater used according to **Table 1** on **page 12-13**.

Saunum Air L is intended for use with Saunum AirIQ only. Use of any other control type will void both warranty and UL listing.

NOTE: To ensure the longevity of the device, make sure that the temperature of the sauna room at the height of the lower part of the device does not exceed 176 °F. If it is exceeded, the thermal protection will be applied and the fan will stop; the fan will start running again if the temperature drops below the fuse limit of application.

The manufacturer is not responsible for any malfunction caused by an overrun of the authorized operating temperature.



! IMPORTANT !

All wiring must be done in accordance with National Electric Code and local building code.

All supply wire to be 194°F / 90 °C copper.



Table 1

DEVICE	WATTAGE	VOLTAGE	PHASE	AMPERAGE
Saunum Air L – 10	9800	240	1	41,66
Saunum Air L – 13	13000	240	1	54
Saunum Air L – 15	15200	240	1	63,33

DEVICE	ROOM SIZE CUBIC FEET	MIN. CEILING HEIGHT	MINIMUM SAFE DISTANCE FROM PROTECTIVE GRILLE TO CEILING
Saunum Air L – 10	247–459	71 in.	33 in.
Saunum Air L – 13	317–565	79 in.	41 in.
Saunum Air L – 15	459–741	87 in.	49 in.



Do not connect the heater to the power and/or utilities via a GFCI breaker!



CIRCUIT BREAKER

Wires from Electrical Panel to Junction Box

50 A	#6 + N + G
70 A	#6 + N + G
80 A	#4 + N + G

MINIMUM SAFE DISTANCE FROM THE HEATER
(See diagrams on page 23)

MINIMUM SAFE DISTANCE FROM FAN OUTPUT

A: 2" from sides & B: 2" from the front side	20 in.
A: 2" from sides & B: 2" from the front side	20 in.
A: 2" from sides & B: 2" from the front side	20 in.



HEATING

THE SAUNA ROOM

Before using the Saunum Air L for the first time, make sure that:

- the electrical connections meet the requirements
- the supply voltage corresponds to the nominal ratings allowed for the Saunum Air L
- the grounding (GND) is in working order
- the attachments of the sauna climate device housing are in order
- the Saunum Air L is properly attached to the wall
- the over-current fuses are in working order the fan rotor rotates smoothly
- there are no tools or materials left after mounting the device in the housing.

When switching the Saunum Air L on, check:

- the direction of the air flow – the air intake from the upper and the output from the lower opening
- that there is no vibration or excessive noise when the fan is running.

When the Saunum Air L is switched on for the first time, the heating elements and the stones will emit an odor. The sauna room must be properly ventilated to remove the anticipated initial smell.

Presuming proper insulation of the room and that the power of the heater is suitable for the sauna size, it takes 45–90 minutes to reach the desired temperature.

The stones are usually heated to proper temperature for water usage at the same time as the sauna room. Turn the Saunum Air fan on just before entering the sauna room; this will help prevent the sauna bench from overheating and using excessive energy.

Saunum's recommended temperature for sauna operation is 149 °F to 176 °F.

USING THE SAUNA CLIMATE DEVICE



Before switching the Saunum Air L on, always make sure that nothing is above or near it.

The operating time of the sauna climate device model Sauna Air L may be adjusted by a separate control device.

- Do not connect the device directly to the utilities and/or power!
- The Saunum Air L must not be used if the components of its housing have been removed and/or the wiring diagram has been changed.
- Children should not be allowed to access or play with the Saunum Air L.
- When switching the Saunum Air L



on and off, refer to the instructions for use of the control device you are using.



After using the sauna, make sure that all parts of the Saunum Air L are switched off (the heating and the fan have stopped).

ADJUSTING THE TEMPERATURE



It is recommended to keep the air circulation fan of the Saunum Air switched off during the heating of the sauna room!

This will allow the sauna room to heat up faster and the bench will not get too hot during the warming process. To find the right setting, start testing at the lowest temperature and lowest airflow rate. If the temperature becomes too high while in the sauna room, reduce the maximum temperature in the sauna room or lower the fan speed of the Saunum Air L.

REGULATION OF THE SAUNA

The amount of air circulation generated by the device is regulated by the AirIQ touch pad, which allows for control of air speeds to your preferred comfort level. To regulate the air temperature in the sauna room,

there is a steam air cooling damper on the left side of the heater housing, lower than the device stone area (see page 24). The recommended setting is to keep the cooling damper 1/3 open. To cool the steam, try to open the damper little by little.

USE OF HIMALAYAN SALT

The Saunum Air L comes with Himalayan salt. The use of salt orbs in the device is optional and does not affect the main function of the device if not elected.

To use the salt, they must be installed in the sockets between the air outlet grille and the fan. Make sure that the salt nested correctly in each individual slot and do not impede the fan rotation.

To install or remove the salt, remove the air output grille (see page 32) and place the salt in their sockets. After installing or removing the salt, reposition the air output grille. The Saunum Air L may only be used with the air output grille in place!

Do not use/start the device if the salt become dislodged near the fan housing!



The use of third-party salt is not covered by the device warranty.



LADLING WATER ON THE HEATER

The air in the sauna becomes dry as it heats up. Therefore, it is necessary to create steam to achieve a suitable level of humidity. The effects of heat and steam on people are different. When testing the different settings of the Saunum Air L, you will find the most suitable combination of temperature and humidity. The effects of heat and steam on people are different. When testing the different settings of the SAUNUM heat equalizer, you will find the most suitable combination of temperature and humidity.

The volume of the sauna ladle should not exceed 6.4 fluid oz. When throwing water, the amount of water should not exceed 6.4 fluid oz, because by pouring too much water on the stones at once, some of it may be sprayed outwards in splashes of boiling water.

Make sure that people are at a safe distance from the heater when creating steam! Hot steam and water splashes cause skin burns.

The water to be ladled or tossed lightly onto the heater must meet the requirements for clean domestic water. Only fragrances specially designed for sauna may be used in the water. Follow the instructions on the package.

LOADING THE STONES

Stacking stones has a great effect on the operation of the heater.

Important to know:

- The diameter of the stones must be 2–4 in.
- Use Saunum stones.
- Do not use light, porous ceramic “stones”, or soft tiles in the heater. They do not store enough heat when heated and can result in damage to the heating elements.
- Wash any dust off the stones and dry them before placing them in the heater.



When using Saunum equipment, we always recommend doing so with high-quality polished sauna stones!

When loading the stones, note the following:

- Do not allow the stones to fall into the heater.
- Do not force the stones between the heating elements.
- Do not allow the stones to rest on the heating elements with their own weight, but load the stones so that they support each other.
- Do not stack the stones on the heater.
- Do not place objects in the vicinity of the stone area or the fan of the sauna climate device that may change the amount or direction of the air flowing through the Saunum Air.



WARNINGS

Staying in the sauna room for a long time raises your body temperature, which may be dangerous to your health!

- Do not touch the hot heater – the stones and the outside of the heater may burn you!
- Do not allow children, disabled or sick people into the sauna room without supervision!
- Consult a doctor about medical concerns related to steam, heat, and/or salt treatment!
- Make sure you are not allergic to salt treatment. Saunum is not responsible for potential side effects of salt treatment in the sauna room!
- Consult a pediatrician or doctor about use of the sauna by children!
- Be careful when moving in the sauna and sauna room, as the bench and the floor may be slippery!
- Do not go to the sauna under the influence of alcohol, drugs, or narcotics!
- Do not sleep in the hot sauna room!
- Sea air and humid climates may cause an oxide layer (rust) on the metal surfaces of the heater!
- A guardrail or fence is required around the heater to prevent burns from accidental contact.
- Make sure you have proper ventilation in the sauna room. Saunum is not responsible for possible salt corrosion of equipment and machinery.
- Do not hang towels and clothes to dry in the sauna room – this may cause a fire hazard!
- Excessive moisture may damage the electrical equipment!
- Clear obstructions closer than 20" in front of the fan opening!
- Sauna users must not keep their feet or other body parts closer than 20 in. in front of the fan!
- Hyperthermia occurs when the internal temperature of the body reaches a level several degrees above the normal body temperature of 98.6°F. The symptoms of hyperthermia include an increase in the internal temperature of the body, dizziness, lethargy, drowsiness, and fainting. The effects of hyperthermia include:
 - Failure to perceive heat;
 - Failure to recognize the need to exit the room;
 - Unawareness of impending hazard;
 - Fetal damage in pregnant women;
 - Physical inability to exit the room; and,
 - Unconsciousness.
- **WARNING** – The use of alcohol, drugs, or medication is capable of greatly increasing the risk of fatal hyperthermia.

Please note. The electric heater requires a control panel and stones.



Do not leave the fan of the heat equalizing module running when you are not in the sauna room – this will cause an excessive energy consumption, and the sauna bench will become too hot!



Contact a qualified sauna service specialist to perform maintenance. In the case of any disturbances in the operation of the Saunum Air L, stop use of the device immediately and have the device inspected by a person authorized by Saunum.

THE SAUNUM AIR L IS NOT HEATING OR BLOW AIR. ENSURE THE FOLLOWING:

- That the heater breakers and fuses are in working order.
- That all wiring is properly connected.
- That the Saunum Air L is switched on.
- The maximum temperature in the sauna room is to your liking.

THE SAUNA ROOM HEATS UP TOO SLOWLY. THE WATER LADLED OVER THE STONES COOLS THEM DOWN QUICKLY.

- Make sure that the air circulation-fan of the heat equalizing module is switched off during sauna room heating.
- Make sure that the breakers and fuses of the Saunum Air are in working order.
- Make sure that all heating elements have reached a hot temperature when the heat equalizing module is in use.
- Increase the selected temperature on the display panel.

- Make sure that the power output (KW) of the heater is sufficient.
- Check the stones. Stones that are placed too tightly, falling down/sinking closer over time, or the wrong type of stone may interfere with the air flow through the heater and therefore reduce the heating speed.
- Make sure that the ventilation of the sauna room is correct.

THE SAUNA ROOM HEATS UP QUICKLY, BUT THE TEMPERATURE OF THE STONES IS INSUFFICIENT. THE WATER THROWN ON THE STONES FLOWS DOWN.

- Make sure that the power output (KW) of the heater is not too high. If the power of the heater is suitable for the sauna room, it takes 45–90 minutes to reach the desired temperature in a properly insulated sauna room.
- Make sure that the ventilation of the sauna room is correct.
- Reduce the speed of the heat equalizing module.

THE WALL COVERING OR OTHER MATERIAL NEAR THE HEATER BECOMES DIRTY QUICKLY.

- Observe the safety distance requirements.



- Make sure that no heating elements are visible between the stones. If the heating elements are visible, turn off the device, let the stones cool, and lift them so that the heating elements are completely covered.



Stones placed too sparsely may cause the heating elements to overheat and make the indoor climate of the sauna room uncomfortable and may cause a fire hazard!

THE WOODEN SURFACES OF THE SAUNA ROOM BECOME DIRTY OVER TIME.

This process may be accelerated by:

- direct or indirect sunlight
- warmth produced by the heater
- wall protectors (protection equipment has poor heat resistance)
- fine particles from the stones.

THE HEATER SMELLS.

- See section HEATING THE SAUNA ROOM page 14.
- A hot heater may amplify odours mixed with air, but this, however, is not caused by the sauna nor the heater. Causes include paint, glue, oil, spices, etc.

THE SAUNUM AIR L IS MAKING NOISE.

- There is always a certain noise when the fan is running. If it is not uniform and/or accompanied by a metallic sound, the fan is likely to need maintenance or repair. Check that there are no foreign objects in the fan air vents.
- Try switching the fan to a lower speed.
- Loud sounds are likely to be caused by stones cracking due to heat.
- Thermal expansion of the heater parts may cause noise when the heater warms up.

AIR IQ DISPLAYS THERMAL CUTOFF OR DOOR SENSOR



- The sauna steam room is critically overheated. Let the room cool down about 10 minutes and push the reset button. See how to do it on the **page 37**.
- The sauna steam room door is open. Close the sauna steam room door.



MAINTENANCE

Due to large temperature fluctuations, stones tend to break down. Stones must be restacked at least once a year and even more frequently when using the sauna often. When restacking the stones, remove stone fragments from the bottom of the heater and replace the broken stones with new ones. By monitoring this, the heating capacity of the heater remains optimal and the risk of overheating is avoided.

If you use Himalayan salt with the Saunum Air L, it is recommended to inspect the salt once a year and, if necessary, replace worn and broken salt with new ones. Make sure that there are no foreign objects in the fan air vents of the heat equalizing module.



CAUTION! Before maintaining and cleaning the Saunum Air L, the device power supply must be disconnected from the power and/or utilities, and the moving parts of the unit must completely stop.

Before servicing and cleaning the Saunum Air L, make sure that:

- the Saunum Air L is disconnected from the power and/or utilities (in addition to the device's power switch, also by means of over-current breakers or fuses);
- the device fan has stopped completely;

- the prescribed occupational safety and personal protective equipment is used when performing the work;
- the connection cables are undamaged. In the event of damage to the connection cables, have the cables replaced by a qualified electrician in accordance with the applicable standards and requirements before continuing maintenance and cleaning work.

The device housing can be cleaned with a cloth dampened with water. Do not use pressure washers, running water, chemical cleaners, or solvents to clean the housing!

Use a 10% citric acid solution to remove scale and rinse with water.

Excessive dirt can prevent the fan from operating correctly, causing an increase in noise when operating. Noise may also increase due to damage/bending of the fan blades. Make sure that there are no foreign objects or salt in the working area of the fan rotor.

The fan will naturally stay free of debris with regular use. If cleaning is needed, we recommend contacting a sauna airflow specialist.



CAUTION! Using compressed air to clean the fan can permanently damage the fan rotor! The fan bearings are maintenance-free and must be replaced if problems occur.



It is recommended to check all electrical connections of the Saunum Air L at least once a year. This can be done by a certified electrician.

SAUNA ROOM

A prerequisite for the installation of the Saunum Air L is a properly prepared sauna room. The thermal insulation of walls and ceilings must be appropriate, otherwise it will take too much time and energy to heat the room. The power supply cables for the heater and the fan must be indicated on the electrical connection board accordance with **Table 1** (see pages 12–13).

SAUNA ROOM VENTILATION

The air in the sauna room must be changed at least six times an hour.



Air intake ventilation in a sauna room is mandatory.

Install the air intake vent under or next to the heat equalizing module. The air intake pipe must have a diameter of 3–1/4”–4”.



Air output ventilation in the sauna room is mandatory.

Install the air output vent near the floor, as far as possible from the Saunum Air. The diameter of the air output pipe must be twice the diameter of the intake pipe.

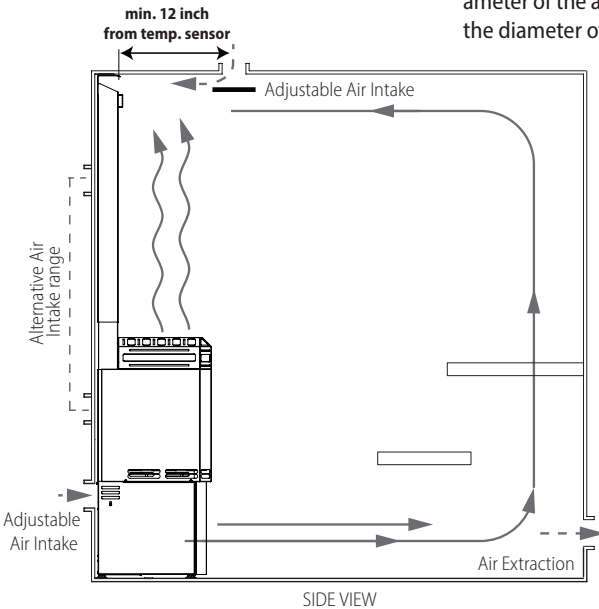


Figure 1

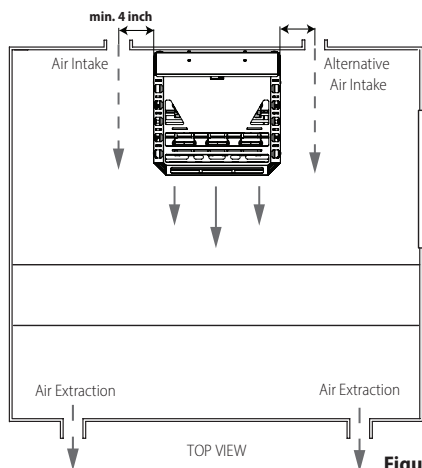


Figure 2

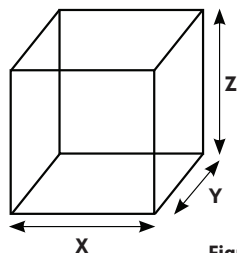


Figure 3.1

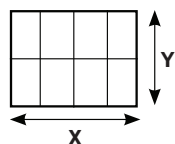


Figure 3.2

SIZING YOUR SAUNA

The volume and structures of the sauna affect the selection of heater power. The power requirement increases if there are glass surfaces or other cold surfaces such as tile, birch, concrete, or stone walls in the sauna.

In case there are any glass, tile, brick, concrete, or stone walls in the sauna room, an additional volume of 3.9 cubic foot for each square foot of these wall surfaces should be added to the sauna room size calculation.

To calculate it yourself, multiply the height (Z) by the width (X) and the length (Y) in feet to get the cubic volume of your sauna room like shown **Figure 3.1**.

Then calculate the square footage sum of brick, tile, glass, or concrete surfaces (X x Y **Figure 3.2**). Multiply the sum of this square footage by 3.90 and add it to your room's cubic volume.

As a result, you will have your sauna room volume based on which you can choose the suitable sauna heater output. If the result falls between two different output values, we recommend choosing the larger heater.

If the sauna room has log walls, multiply the volume by 1.5. The optimal sauna room sizes for the sauna climate device Saunum Air are given in **Table 1** (see pages 12-13). The height of the sauna room is usually 83 to 91 in.

The minimum height when installing the sauna climate device Saunum Air L is 71 in. See **Table 1** (pages 12-13).



Safety distances of the Saunum Air L with recommended location in sauna room.

Saunum Air L with black solid steel stove basket - 2" A & B dimensions

Note that ONLY the device rear wall can be placed against sauna room cladding or panels

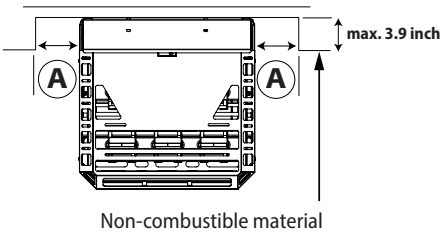


Figure 4

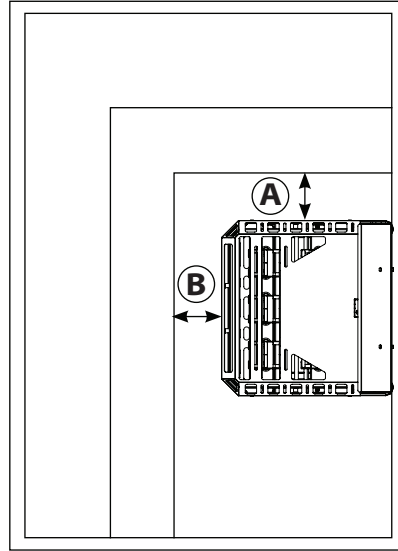


Figure 5

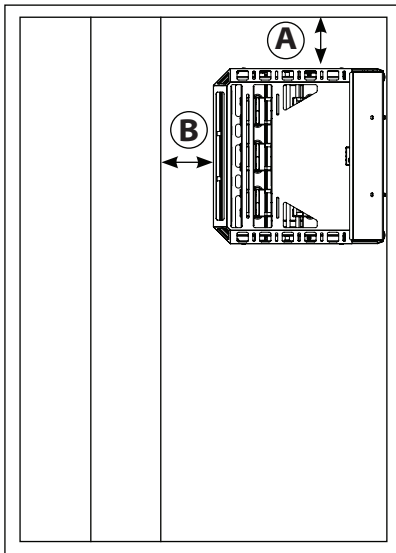


Figure 6

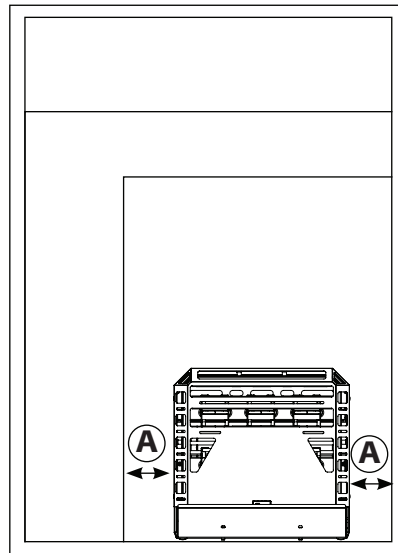


Figure 7



BEFORE THE INSTALLATION

The installation of the Saunum Air L must be performed by a qualified electrician. The connection of the device must be performed in a stable location with a cable that meets the temperature conditions. Protective grounding (GND) must be connected to the connection terminal of the device, with the cross-sectional area of the cable being at least 14 AWG, 90°C/194°F. The device must be powered from the control device's supply circuit, which is protected by over-current breakers. The required over-current breaker sizes and the connection cables dimensions are given in **Table 1** (see pages 12–13).

All the certified sauna control devices with the operating capacity corresponding to the capacity of the Saunum Air L model used in accordance with **Table 1** (see pages 12–13) may be used to control the sauna climate control device.

Before starting the installation work, read the installation instructions and observe the following:

- The power and type of the heater are suitable for the given sauna room. The recommended sauna room volume is given in **Table 1** (see pages 12–13).
- The supply voltage is suitable for the Saunum Air L.
- At the installation site of the sauna climate device, the minimum safety distances given in **Table 1** (see pages 12–13), measured from the heater housing, are guaranteed.
- The dimensions of the device are shown in **Figures 1** (see pages 25).
- It must also be ensured that the upper edge of the air output of the is lower than the lower edge of the bench.
- There must be no obstructions in front of the air output from the air flow must be able to flow freely across the sauna room.
- The device works most efficiently when its hot air intake cap is installed against the ceiling of the sauna room and the air is blown under the bench.
- Safety distances must be complied with unconditionally, as failure to do so may result in a fire hazard. Only one sauna device may be installed in the sauna room.



Saunum Air L
10, 13 and 15kW

DIMENSIONS

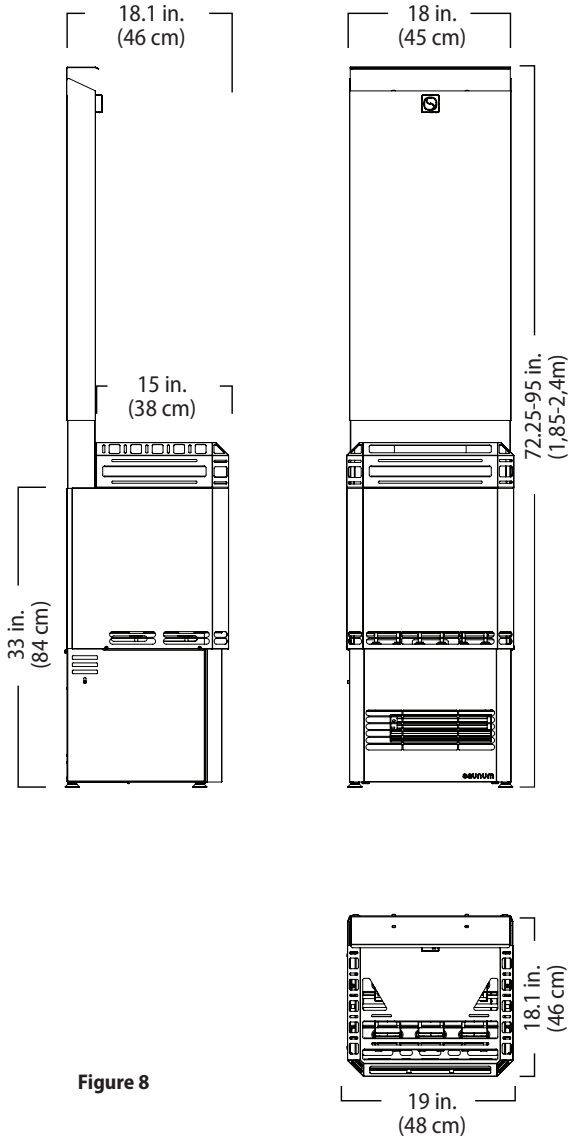
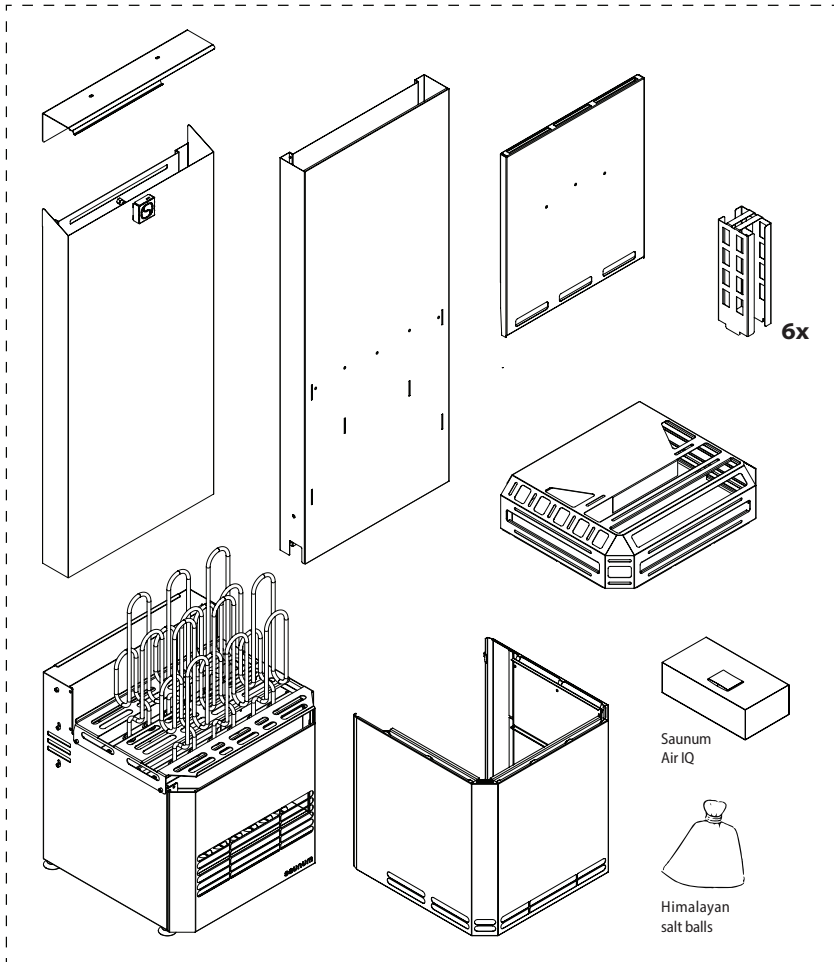


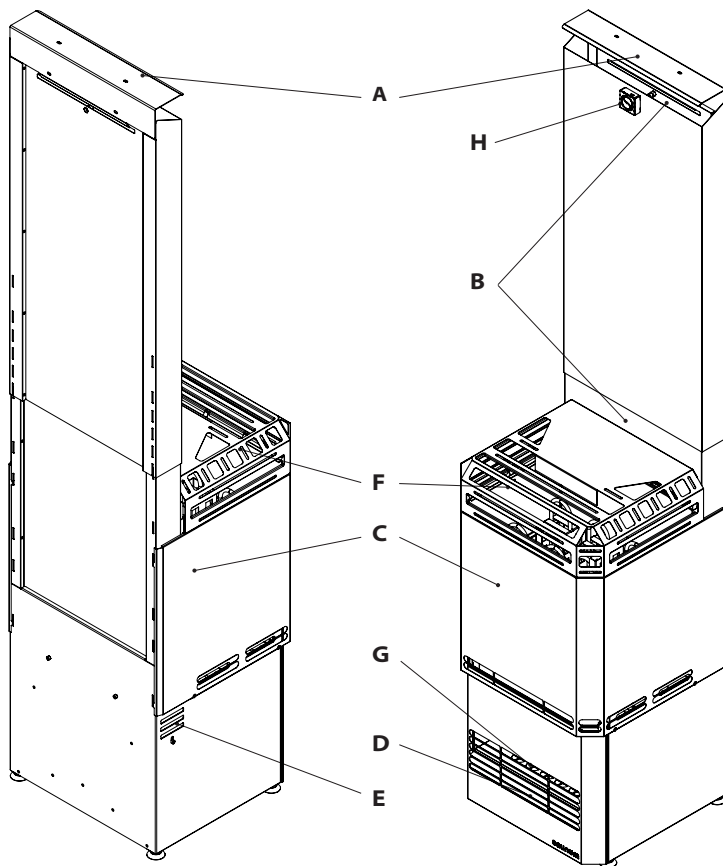
Figure 8



PRODUCT COMPLETENESS



Components necessary for operation that are not part of the Saunum Air L composition: power supply cables, and stones.



- A** - Hot air intake cap
- B** - Hot air intake
- C** - Stone basket
- D** - Air outake grille
- E** - Cool air intake valve
- F** - Protective grill
- G** - Himalayan salt tray
- H** - Temperature sensor

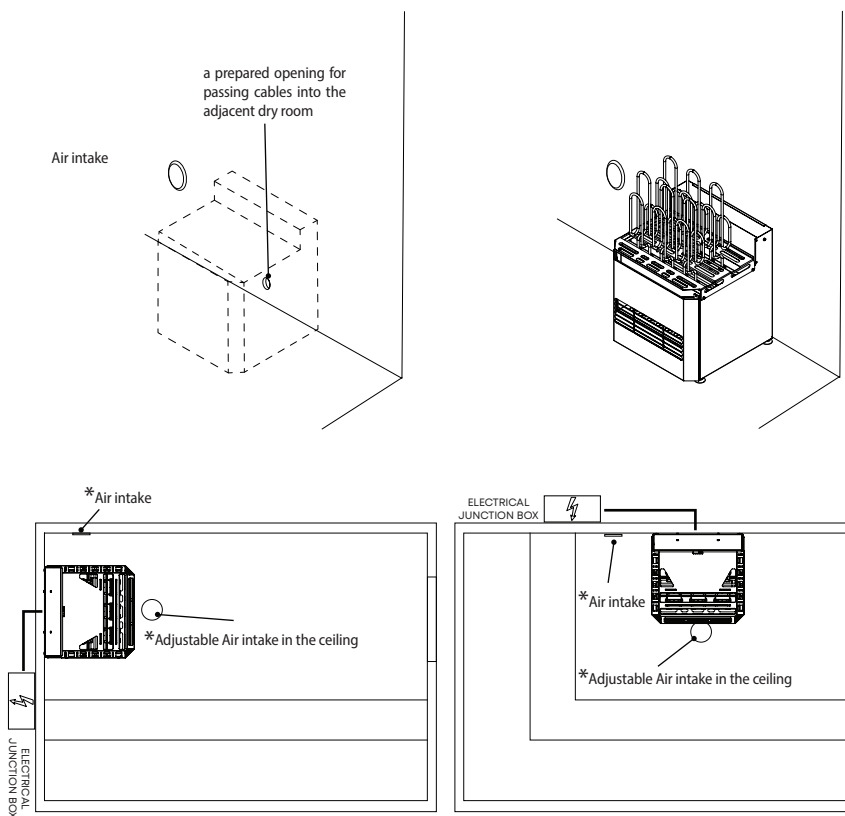


Remove the protective film before assembling the heater!



Before installing Saunum Air L , make sure that the electrical junction box previous cabling preparation has been done and that the necessary safety distances have been ensured like shown **Figure 4-7** (see page 23). The required cables and their cross-sections are shown in **Table 1** (see page 12-13).

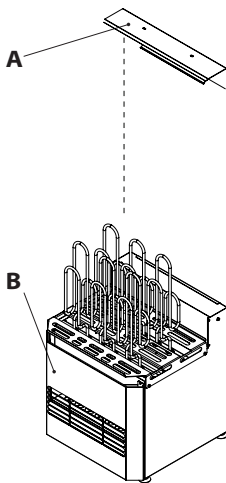
It is also necessary to prepare the air intake and exhaust air of the steam room in advance as shown on **Figure 1 & 2** (pages 21 and 22) and preparation for directing the cables of the device to the adjacent dry room.



* Recommended location of the air intake hole. Exact location may vary. See Figure 1 & 2.



1. Install the hot air intake cap (A) and center the heater housing in relation to the cap (B).



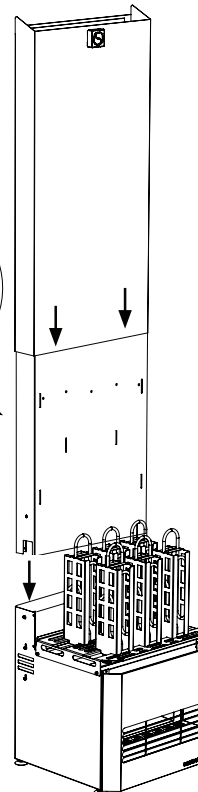
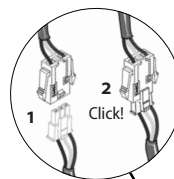
Place the cap at the connection point between the wall and the ceiling (corner) and fasten with a mounting suitable for the base material. It can be attached to the wall and/or the ceiling. Center the heater under the cap and adjust the feet so that the device is level.

Check the intake and the housing to make sure the device is level. Adjust the heater housing as needed.

Carefully lower the intake inside each other into the intake socket on the top of the heater.

Connect the temperature sensor behind hot air intake (see **page 36**) with Molex plug.

see **page 36**



2. Place the parts of the hot air intake inside each other. Next, place the lower part of the intake at the end of the heater's intake socket and adjust the feet of the heater; check the intake and the housing to make sure the device is level. Adjust the heater housing as needed.

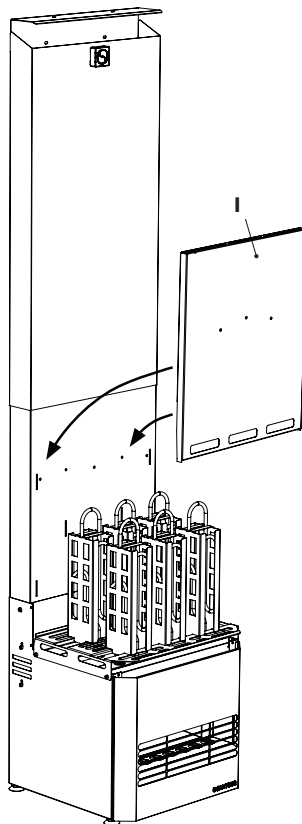
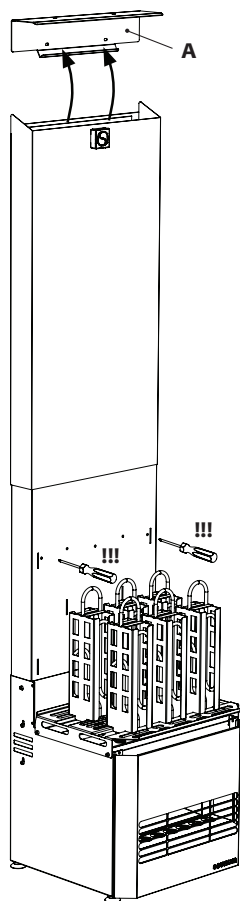
Carefully lower the intake inside each other into the intake socket on the top of the heater.



3. Hang the telescopic intake on the intake cap (A).

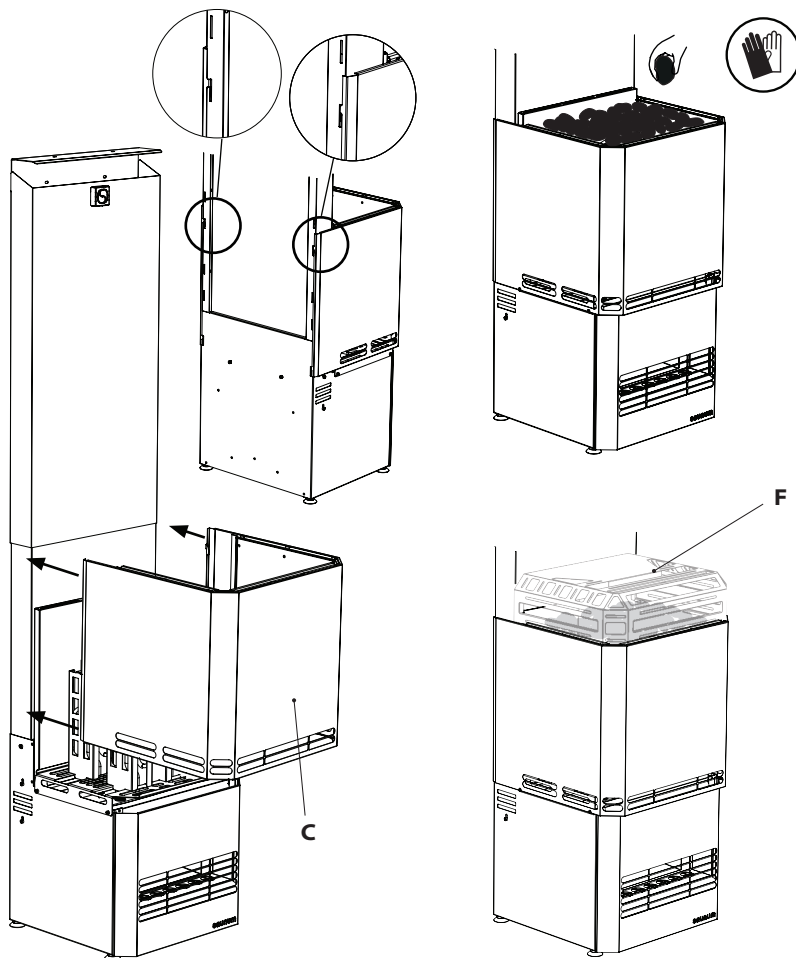
5. Install the heat shield (I) with the coupling hooks.

4. Fasten the intake to the wall with screws!



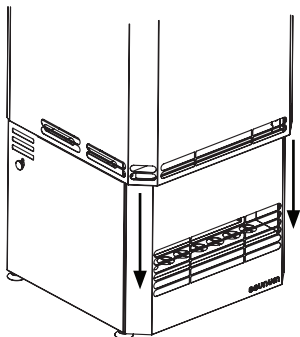


- 6.** Install stone basket (**B**) using the hooks in the opening behind the hot air intake. Fill the basket evenly with stones (see **LOADING THE STONES** on **page 16**). Wear gloves to protect your hands! When the basket is correctly filled, install the protective grill (**F**).

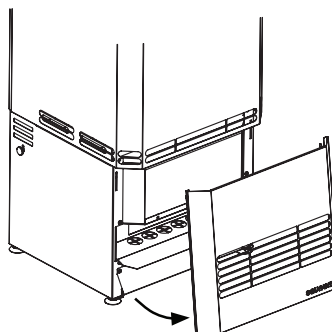




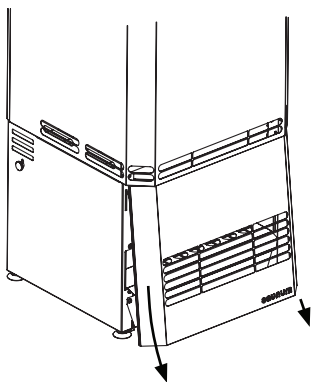
7. Install the salt.



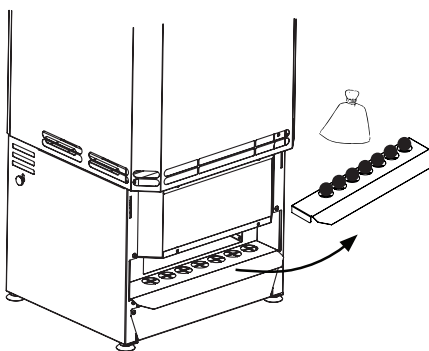
Pull from under the output grille edge outwards.



Take the salt orbs out from the textile bag. Place the salt orbs in the sockets so that each salt orb is on one socket.



Remove the output grille by holding it slightly tilted and pulling it downwards.



NOTE! It is recommended to rinse the base of the salt ball at least once a year





ELECTRICAL CONNECTIONS

8. Connect the Saunum Air L to the Air IQ control unit.

The electrical connection of the device must be performed by a qualified person in accordance with the applicable standards and requirements.

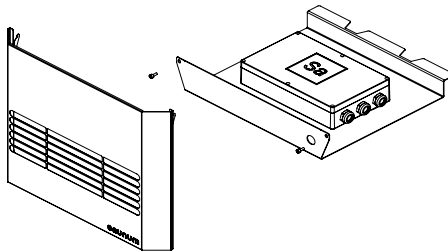
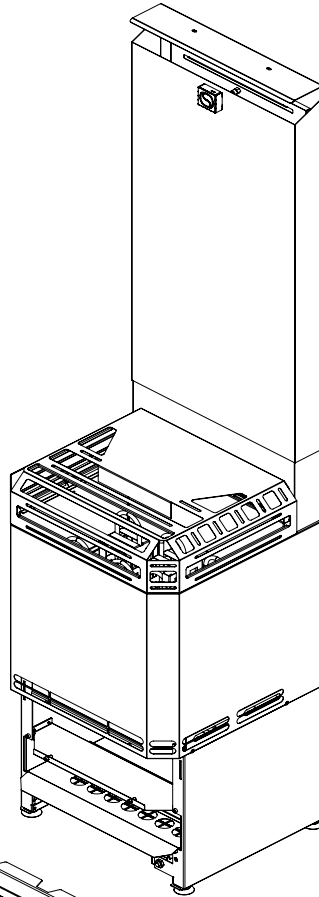
The Saunum Air L must be connected in a half stationary position to the junction box on the wall of the sauna room.

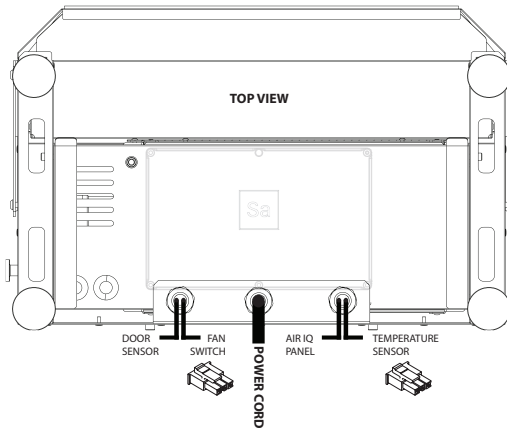
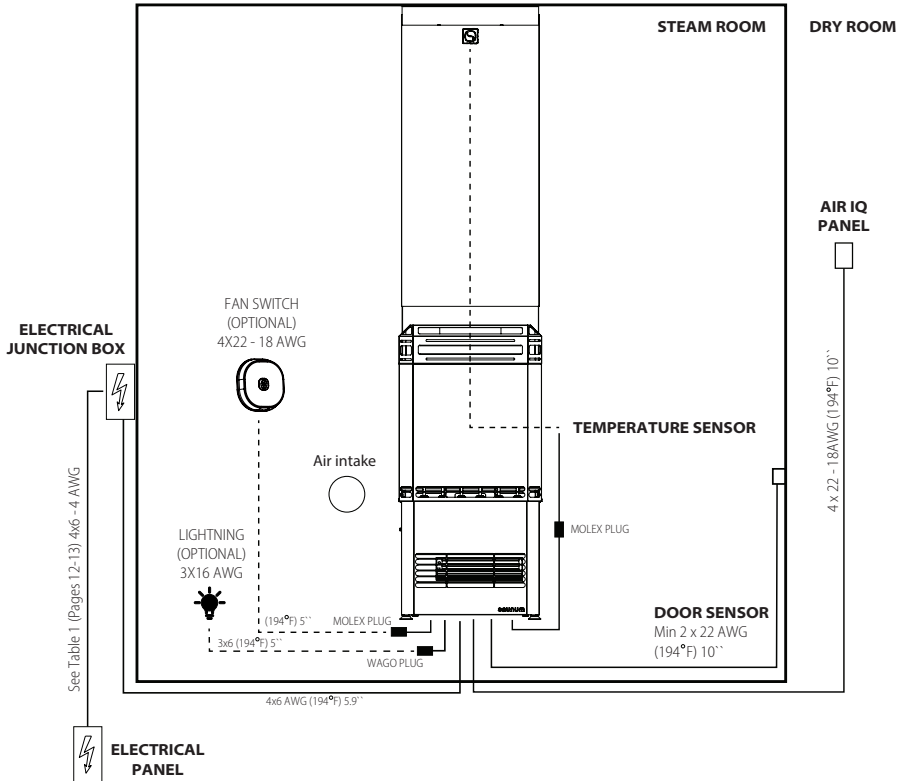
The junction box must be splashproof and its maximum height from the floor can be up to 20 in.

The power cable of the heater must meet the requirements of UL 62 in US and CSA 49 in Canada.

To access the device electrical connections, it is necessary to open the bottom panel.

To open the panel, completely loosen the two bolts under the device (see figure below).







Due to the potential danger of thermal embrittlement, it is forbidden to use a PVC-insulated cable as the connection cable for the Saunum Air L.

- The internal connections of the device are made by means of screw terminals according to **Figure 3** (see page 33) and Table 1 (see pages 12–13) in this manual.
- Protective earthing (GND) must be connected to the connection terminal of the device, with the cross-sectional area of the cable being at least 14 AWG, 90°C/194°.
- The heater must be powered from the 240 VAC or 120 VAC 50/60 Hz supply circuit through a control device protected by an over-current fuse of the size shown in **Table 1** (see pages 12–13).
- If you want to connect the air circulation fan of the device separately from the heater control device, the fan must be connected via a residual-current device. In this case, the protective earthing (GND) of the fan supply input terminal of the Saunum Air must not be brought into contact with the protective earthing of the heater supply input terminal. In this case, use earthed cables of at least 16 AWG, 194°F/90°C to power the fan.
- The power cable must enter the housing of the Saunum Air L so that

the water does not flow along the cable into the electrical connection box of the housing of the Saunum Air L. The outer insulation of the cable can only be peeled off only from the part that is in the device housing.

- If the connecting and installation cables are located higher than 40 in. from the floor of the sauna room or inside the walls of the sauna room, they must be able to withstand a temperature of at least 302 °F/150 °C (e.g., SSJ). Electrical equipment installed in the steam room below 40 in. must withstand a temperature of at least 194 °F/90 °C.
- The recommended cross-section of the connection cable grooves is given in **Table 1** (see pages 12–13).

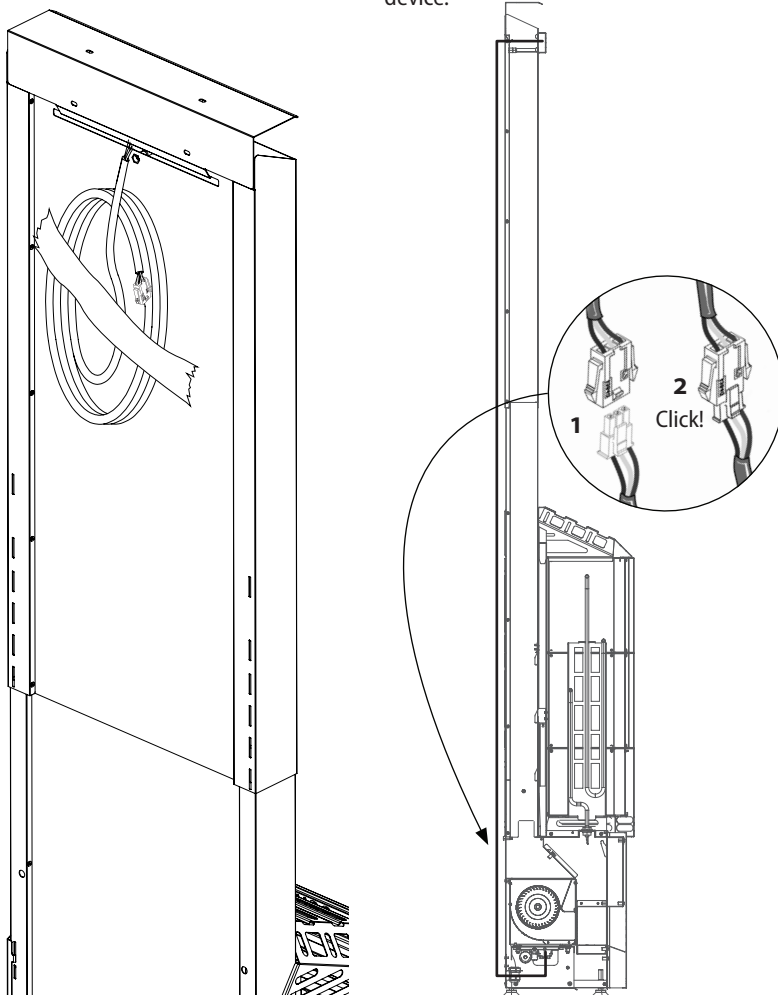


The Saunum Air L may only be connected by a professional electrician in accordance with the applicable regulations!



1. Remove the tape from temperature sensor cable that is fixed to the back of the hot air intake.

2. Unroll the temperature sensor on the backside of the air intake and find the entrance for cables at the bottom of the device.





THERMAL CUTOFF

During a sauna session, the heat in the steam room may be too hot, and due the safety reason the thermal cutoff is activated. To continue using the sauna, let the room cool down about 10 minutes.

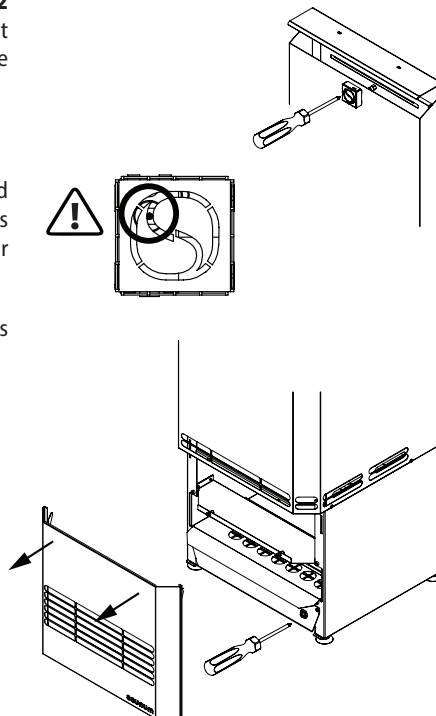
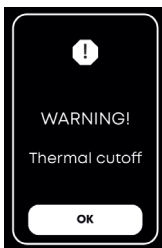
When the room has cooled down after 10 minutes, press the reset button (brown) until you hear a click.

There is 2 reset buttons: one behind the bottom front panel (See **page 32** instructions on how to remove the front panel.) and the other in the temperature sensor housing on the flue.

NOTE!

After resetting the thermal cutoff and continuing the sauna session, it is necessary to restart the sauna from the Air IQ control panel.

If the sauna session is finished then there is no need to do anything.





ELECTRIC HEATER INSULATION RESISTANCE

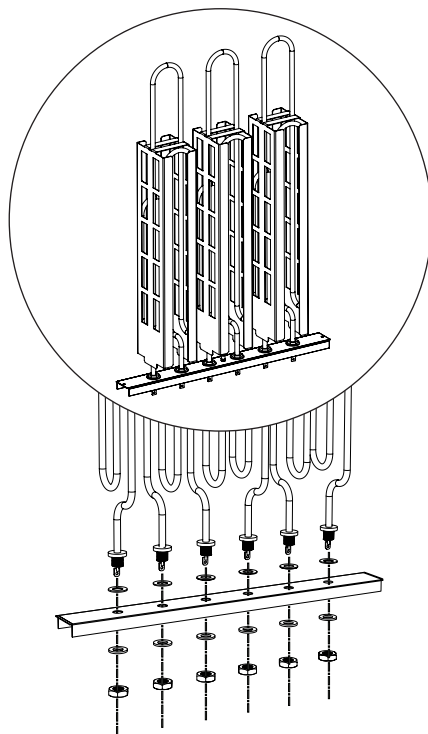
During the final inspection of the electrical installation, a leakage may be detected when measuring the insulation resistance of the Saunum Air, and which has occurred due to the insulation material of the heating elements absorbing moisture from the air (storage, transport). After a few uses of the Saunum Air, this moisture will disappear.



Do not connect the heater to the power and/or utilities via a GFCI breaker!

INSTALLING AND REPLACING THE HEATING ELEMENTS

The heating elements are connected to the device via screw terminals. It is necessary to disconnect the screw terminals before removing the heating elements.





WARRANTY

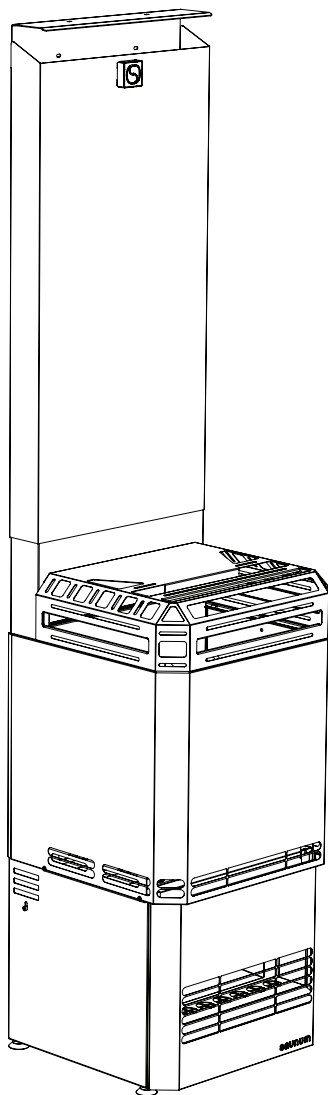
With the Saunum device warranty, Saunum guarantees that the product will be free from defects in the materials and the assembly for a specified period after the date of purchase. If, during the warranty period, the device is found to be defective due to the use of substandard materials or the quality of the assembly, Saunum's recommended repair partners will repair or replace the device or its defective part without charge for labour and parts under the conditions set out below. Saunum reserves the right to decide whether to replace the defective product component or to replace the device with a new one. The replaced defective product components remain the property of Saunum.

Warranty conditions:

1. The warranty is only valid if a completed installation report is submitted with the claim.
2. The device has been connected to the power network by a qualified electrician in accordance with the regulations in force.
3. The warranty period of the sauna climate device when used in a private sauna is two (2) years.
4. The warranty period of the sauna climate device when used in a public sauna is one (1) year.

Not covered by the warranty:

1. Routine maintenance and cleaning of the device and replacement of the components due to normal wear and tear;
2. Adaptation or modification of the device for any purpose other than that indicated in the instructions for use;
3. Risks arising from transport;
4. Damage resulting from the misuse of the device;
5. Damage resulting from the improper installation of the device;
6. Repairs to the device not carried out by Saunum's recommended repair partner (maintenance partner);
7. Accidents, lightning, water, fire, improper ventilation, or any other factor beyond the control of Saunum;
8. Breakages caused by the use of stones and salt orbs not recommended by Saunum;
9. The heating elements and the salt.



You can find the list of Saunum Saunas recommended installation and maintenance professionals on the Saunum Saunas OÜ website www.saunum.com or by contacting us at

techsupport@bathingbrands.com

phone: +1 (224) 253-5909

Saunum's device maintenance instructions can be found in the instructions for use.

Please note! The sauna may only be connected to the power network by a qualified electrician in accordance with the regulations in force.

Read all of the instructions for use carefully and thoroughly **before using the device** and keep them in a safe and easily accessible place for future reference.

INSTALLATION **REPORT**

Date of purchase: _____

Heater type: _____

Sticker/serial number: _____ Date of installation: _____

Place of installation: _____

Installed by: _____

Checked by: _____

Date, signature: _____

Description of the work done: _____

All the details are available for the installation _____

There are no color defects or dents _____

Installed on the wall or on the floor according to the instructions _____

The electrical connections are made according to the installation instructions _____

All the heating elements heat up _____

The three fan speeds are working / in the correct order _____

Notes: _____

Customer's contact (name, email address): _____

Received work: _____

Warranty start date: _____

WARRANTY





Sauna Heater
E525245

Manufacturer: Saunum Saunas North America LTD
Telliskivi Tn 60-1,
Põhja-Tallinna Linnaosa, 10412
Estonia

declares that the product:

Saunum Air L

complies with the requirements of the following standards:

UL 875, Electric Dry-Bath Heaters, Edition 9, Revision Date 01/04/2021;
CSA C22.2 No. 164, Electric Sauna Heating Equipment, Edition 2,
Issue Date 02/2018.

These products do not contain hazardous substances in excess of 0.1% (SVHC) and meet the requirements of the REACH Regulation (1907/2006/EU REACH XVII) and comply with the requirements of the RoHS Directive (2011/65/EU, RoHS2 and 2015/863/EU, RoHS3)

FRE

INSTRUCTIONS D'UTILISATION ET D'INSTALLATION



saunum

Saunum Air L chauffe-sauna équipé d'un
égaliseur de chaleur



LA MEILLEURE EXPÉRIENCE DE SAUNA



***J**e suis très heureux que vous ayez investi dans l'achat d'un dispositif Saunum, et je suis certain que notre technologie innovante vous apportera une expérience de sauna unique et inoubliable.*

Je suis diplômé en ingénierie thermique et je viens du sud de l'Estonie, où mon amour pour les saunas a commencé. Ce qui rend uniques les traditionnels saunas à fumée de cette région, c'est leur température plus basse et leur humidité plus grande que, par exemple, dans un sauna finlandais classique. Dans un sauna ordinaire, le volume de pierres dans le poêle est généralement assez réduit. Cela peut causer des dégagements brutaux de vapeur brûlante et une température inégale, très élevée au niveau de la tête et des épaules, tandis que les pieds ont froid. Ce type d'expérience peut être désagréable, causer des migraines et provoquer un stress. Au contraire, dans les anciens saunas à fumée, comme dans les saunas des peuples autochtones d'Amérique du Nord, on commençait par chauffer les pierres pendant la journée. Ensuite, la chaleur emmagasinée dans les pierres était utilisée pour nettoyer le corps et procurer une expérience agréable.

Inspiré par l'expérience du sauna à fumée, j'ai voulu créer une solution innovante mêlant les meilleurs côtés du sauna traditionnel et la technologie moderne, pour offrir un sauna doux et relaxant, sans le stress d'une vapeur brûlante. Pour cela, il m'a tout d'abord fallu parvenir à uniformiser la température au niveau de la tête et des pieds. Mon travail de développement s'est appuyé sur les recherches menées en parallèle à l'Université technologique de Tallinn, dans le cadre desquelles nous avons analysé la stratification thermique et les mouvements de l'air dans le sauna. Saunum est né de la collaboration entre la réflexion scientifique et l'innovation technique.



Le système unique et breveté de brassage des couches d'air de Saunum capte la vapeur chaude qui s'accumule sous le plafond du sauna, la mélange avec l'air plus frais présent au niveau du sol, et renvoie une vapeur plus tempérée et homogène. Ceci procure une chaleur agréable et non agressive. Vous pouvez passer plus de temps dans le sauna, profiter d'une bonne suee et d'un nettoyage en profondeur sans ressentir de fatigue. Le volume de pierres de nos éléments chauffants est nettement plus important que dans les autres éléments chauffants de sauna, ce qui explique le climat particulièrement agréable de nos saunas, avec une vapeur longue et douce.

Un sauna moite et vaporeux, un sauna thérapeutique au sel ou un sauna aromatique et sain – toutes ces fonctions sont disponibles avec les dispositifs Saunum, pour un sauna réellement reposant. Si vous placez des boules de sel de l'Himalaya dans notre système, des ions salins bénéfiques pour la peau et le système respiratoire sont entraînés par la vapeur et circulent dans l'air. L'ajout d'un système aromatique qui mélange la vapeur et des huiles aromatiques aux vertus thérapeutiques procure un sauna encore plus agréable.

Les dispositifs de sauna Saunum conviennent aux adultes comme aux enfants.

Bon sauna!

Andrus Vare
Créateur de Saunum



saunum

Saunum **vous félicite**
d'avoir choisi un poêle à sauna
muni d'un égaliseur de chaleur
innovant pour votre sauna!



TABLE DES MATIÈRES

Informations de sécurité _____	50
INSTRUCTIONS D'UTILISATION	
Chauffage du sauna _____	54
Utilisation de l'appareil climatique du sauna _____	54
Réglage de la température _____	55
Réglage du sauna _____	55
Utilisation des sels de l'Himalaya _____	55
Apport d'eau sur le poêle à sauna _____	56
Chargement des pierres _____	56
Avertissements _____	57
Résolution des problèmes _____	58
Entretien _____	60
Pièce du sauna _____	61
Ventilation du sauna _____	61
Calibrage de votre sauna _____	62
INSTALLATION	
Avant l'installation _____	64
Dimensions _____	67
Parties de l'appareil _____	68
Instructions d'installation _____	69
Branchements électriques _____	73
Résolution des problèmes - coupure thermique _____	77
Résistance d'isolement du poêle à sauna _____	78
Installation et remplacement des éléments chauffants _____	78
Garantie _____	79
Rapport d'installation _____	



Ce guide d'installation et d'utilisation s'adresse au propriétaire du sauna ou à l'agent d'entretien, ainsi qu'à l'électricien responsable de l'installation du poêle à sauna **Saunum Air L** dans un sauna avec un appareil climatique. Après l'installation du poêle et de l'appareil climatique ce guide devra être remis au propriétaire ou à l'agent d'entretien.

Avant d'utiliser le poêle à sauna **Saunum Air L** avec un égaliseur de chaleur, lisez le guide d'installation et les instructions de sécurité.

Le **Saunum Air L** est destiné à chauffer la pièce du sauna entre 60 et 90°C (140 et 194 °F) et à homogénéiser le climat dans la pièce du sauna durant la production de vapeur.

Remarque : Le module d'égalisation de la chaleur et le poêle à sauna du sauna ne doivent pas être utilisés à des températures dépassant 90 °C (194 °F).



N. B.! N'employez pas le Saunum Air L à d'autres usages!

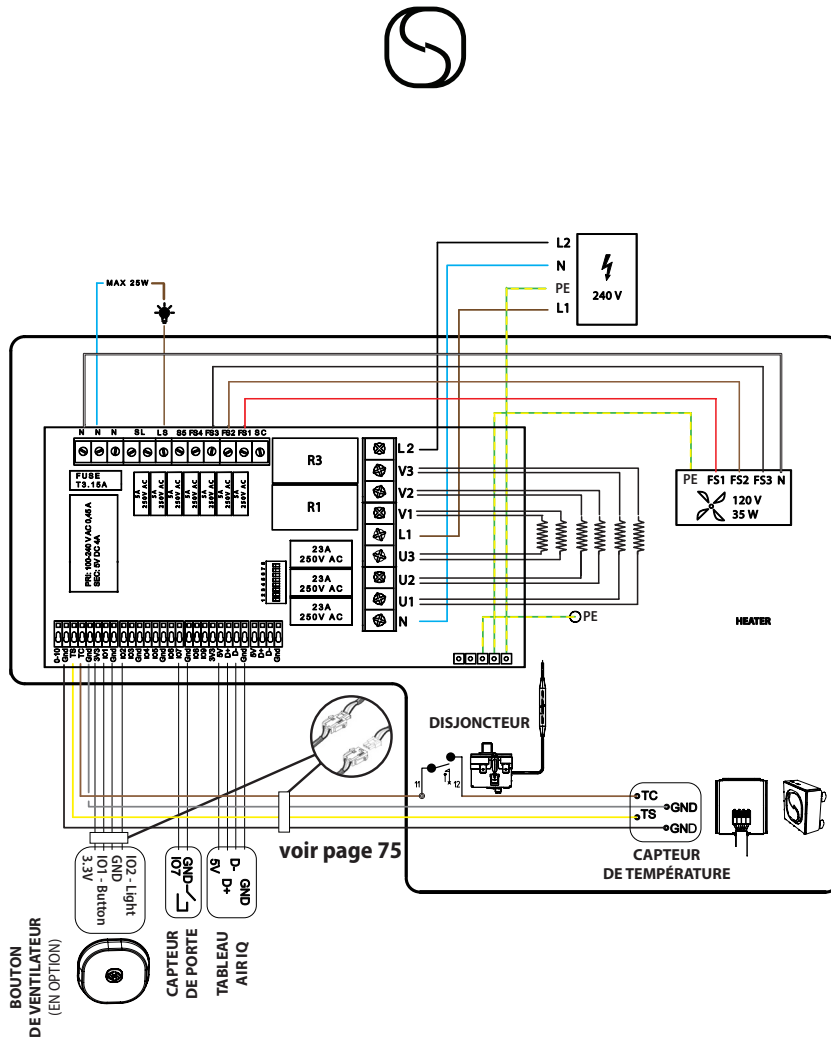


Pour brancher le **Saunum Air L** au secteur, un système destiné au contrôle des poêles à sauna électriques est nécessaire. Ce système de contrôle doit être adapté à la puissance du poêle à sauna utilisé, conformément au **Tableau 1**, la page 68.

Saunum Air L est destiné à être utilisé exclusivement avec le système **Saunum Air IQ**. L'utilisation de n'importe quel autre système de contrôle entraînera l'annulation de la garantie et de la certification UL.

REMARQUE : Pour assurer la longévité du système, assurez-vous que la température dans la pièce du sauna à hauteur du bas du système ne dépasse pas 80 °C (176 °F). Si cette température est dépassée, la protection thermique se déclenchera et arrêtera le ventilateur; le ventilateur se remettra en route dès que la température descendra en dessous de la limite d'application du fusible.

Le fabricant n'est pas responsable de tout dysfonctionnement causé par un dépassement de la température de fonctionnement autorisée.

**! IMPORTANT!**

Tous les branchements doivent être effectués dans le respect du Code national de l'électricité et du Code de construction.

Tous les câbles fournis sont en cuivre 90°C (194 °F).



Tableau 1

APPAREIL	PUISSANCE	TENSION	PHASE
Saunum Air L – 10	9800	240	1
Saunum Air L – 13	13000	240	1
Saunum Air L – 15	15200	240	1



Ne branchez pas le poêle à sauna au secteur ou aux autres appareils par un disjoncteur différentiel de fuite à la terre (DDFT)!

APPAREIL	VOLUME DE LA PIÈCE MÈTRES CUBES (PIEDS CUBES)	MIN. HAUTEUR DU PLAFOND	DISTANCE MINIMALE DE SÉCURITÉ ENTRE LA GRILLE DE PROTECTION ET LE PLAFOND
Saunum Air L – 10	247–459	71 po. (180cm)	33 po.
Saunum Air L – 13	317–565	79 po. (200cm)	41 po.
Saunum Air L – 15	459–741	87 po. (220cm)	49 po.



AMPÉRAGE	DISJONCTEUR	Câblage du panneau électrique vers l'unité centrale
41,66	50 A	#6 + N + G
54	70 A	#6 + N + G
63,33	80 A	#4 + N + G

DISTANCE MINIMALE DE SÉCURITÉ À PARTIR DU CHAUFFE-SAUNA (Voir les diagrammes à la page 63)	DISTANCE MINIMALE DE SÉCURITÉ À PARTIR DE L'ORIFICE DE VENTILATION
A: 2" & B: 2" des côtés et de l'avant	20 po. (50cm)
A: 2" & B: 2" des côtés et de l'avant	20 po. (50cm)
A: 2" & B: 2" des côtés et de l'avant	20 po. (50cm)



CHAUFFAGE

DE LA PIÈCE DU SAUNA

Avant d'utiliser **Saunum Air L** pour la première fois, assurez-vous que :

- les branchements électriques sont conformes
- la tension de l'alimentation correspond aux valeurs nominales autorisées pour **Saunum Air L**
- la mise à la terre (PE) fonctionne
- les fixations du boîtier de l'appareil climatique du sauna sont correctes
- le **Saunum Air L** est correctement fixé au mur
- les fusibles de surintensité sont en bon état.
- le rotor du ventilateur tourne sans à-coups
- aucun outil ni matériau n'a été oublié dans le boîtier après le montage de l'appareil

Lorsque vous lancez le **Saunum Air L** , vérifiez :

- la direction du flux d'air – l'air doit être aspiré par l'ouverture haute et éjecté par l'ouverture basse
- qu'il n'y a ni vibrations ni bruit excessif lorsque le ventilateur est en marche

Lorsque le **Saunum Air L** est mis en marche pour la première fois, les éléments chauffants et les pierres dégagent une odeur. La pièce du sauna doit être correctement ventilée pour évacuer cette odeur tout à fait normale.

la température désirée est atteinte en 45 à 90 minutes.

Les pierres atteignent habituellement la température correcte pour jeter de l'eau en même temps que la pièce du sauna. Mettez en marche le ventilateur **Saunum Air L** juste avant de pénétrer dans la pièce du sauna; vous éviterez ainsi que le banc soit trop chaud, tout en ne consommant pas inutilement d'énergie.

La plage de températures recommandée par Saunum pour l'utilisation du sauna est de 65 °C à 80 °C (149 °F à 176 °F).

UTILISATION DU DE L'APPAREIL

CLIMATIQUEW DU SAUNA



Avant de mettre en marche le **Saunum Air L**, assurez-vous qu'aucun objet ne se trouve dessus ou à proximité.

Le temps de fonctionnement de l'appareil climatique du modèle Saunum Air L peut être réglé au moyen d'un système de contrôle séparé.

- Ne branchez pas le appareil climatique directement sur les autres appareils ni sur la prise secteur!
- Le **Saunum Air L** ne doit pas être utilisé si des composants du boîtier ont été retirés ou si le diagramme de branchement a été modifié.
- Ne pas laisser les enfants toucher au Saunum Air L ou jouer avec.
- Lors de la mise en marche ou de l'arrêt du Saunum Air L, conformez-vous aux instructions d'utilisation de l'appareil de contrôle que vous utilisez.



Après avoir utilisé le sauna, assurez-vous que tous les éléments du Saunum Air L sont éteints (le chauffage et la ventilation sont arrêtés)

RÉGLAGE DE LA TEMPÉRATURE



Il est recommandé de garder le ventilateur pour la circulation d'air du **Saunum Air L** à l'arrêt durant le chauffage de la pièce du sauna!

Cela permettra au sauna de chauffer plus rapidement, et le banc ne deviendra pas brûlant pendant ce temps. Pour trouver le réglage idéal, démarrez vos essais avec la température la plus basse et le débit d'air le plus bas. Si la température de la pièce devient trop haute pendant que vous vous trouvez dans le sauna, réduisez la température maximale dans la pièce ou abaissez la vitesse du ventilateur du Saunum Air L.

RÉGLAGE DU SAUNA

Le niveau de circulation d'air que génère l'appareil est contrôlé par l'écran tactile **Air IQ**, qui vous permet de régler les débits d'air pour atteindre votre niveau de confort idéal. Pour régler la température de l'air dans le sauna, vous disposez d'un refroidisseur de vapeur placé sur le côté gauche du poêle à sauna, plus bas que les pierres de l'appareil (voir **la page 68**). Le réglage recommandé est de tenir le refroidisseur ouvert au tiers. Pour refroidir la vapeur, essayez d'ouvrir petit à petit le refroidisseur.

UTILISATION DE SELS DE L'HIMALAYA

Le **Saunum Air L** est livré avec des sels de l'Himalaya. L'utilisation des boules de sel dans l'appareil est optionnelle et n'affecte pas son fonctionnement si vous choisissez de vous en passer.

Pour utiliser le sel, installez les boules dans les logements situés entre la grille de l'évent et le ventilateur. Assurez-vous que les boules de sel soient insérées correctement dans chaque logement et ne gênent pas la rotation du ventilateur.

Pour installer ou retirer le sel, retirez la grille de l'évent (voir **la page 71**) et placez les boules de sel dans leurs logements. Après avoir inséré ou retiré le sel, repositionnez la grille de l'évent. Le **Saunum Air L** ne peut fonctionner que lorsque la grille de l'évent est en place!

N'utilisez pas/ne mettez pas en marche l'appareil si une boule de sel sort de son logement et se trouve à proximité du boîtier du ventilateur!



L'utilisation de sel non fourni par nous n'est pas couverte par la garantie de l'appareil.



APPORT D'EAU SUR LE POÊLE À SAUNA

L'air s'assèche dans le sauna au fur et à mesure que celui-ci se réchauffe. Il est donc nécessaire de produire de la vapeur pour atteindre un niveau d'humidité convenable. Les effets de la chaleur et de la vapeur diffèrent d'une personne à l'autre. En testant les différents réglages du Saunum Air L, vous trouverez la combinaison température/humidité idéale.

Le volume de la louche du sauna ne doit pas excéder 180 ml (6,4 oz liq.). Lorsque vous jetez de l'eau, la quantité d'eau ne doit pas excéder 180 ml (6,4 oz liq.), car si vous versez trop d'eau d'un seul coup sur les pierres, il peut y avoir des projections d'eau bouillante.

Assurez-vous que les personnes se tiennent à une distance correcte du poêle à saunalors de la production de vapeur! La vapeur brûlante et les éclaboussures peuvent causer des brûlures sur la peau.

L'eau que vous versez ou jetez délicatement sur les pierres doit respecter les normes de l'eau potable domestique. Seuls des parfums conçus spécifiquement pour le sauna peuvent être mêlés à l'eau. Suivez les instructions figurant sur l'emballage.

CHARGEMENT DES PIERRES

La façon dont vous empilez les pierres a un effet important sur le fonctionnement du poêle à sauna.

Important à savoir :

- Le diamètre des pierres doit être de 5–10,2 cm (2–4 po).
- Utilisez des pierres Saunum.
- N'utilisez pas de « pierres » légères en céramique poreuse ni des tuiles douces. Elles ne stockent pas suffisamment de chaleur lors du chauffage et peuvent entraîner une détérioration des éléments chauffants.
- Lavez et dépoussiérez les pierres, puis séchez-les avant de les disposer dans le chauffe-sauna.



Lorsque vous utilisez un équipement Saunum, nous recommandons toujours de le faire avec des pierres pour sauna polies de haute qualité!

Lorsque vous chargez les pierres, tenez compte des instructions suivantes :

- Ne laissez pas tomber les pierres dans le poêle à sauna.
- N'enfonchez pas les pierres de force entre les éléments chauffants.
- Ne laissez pas les pierres peser de tout leur poids sur les éléments chauffants, mais disposez-les de telle façon qu'elles se supportent les unes les autres.
- N'empilez pas les pierres sur le poêle à sauna



- Ne placez pas au voisinage des pierres, du ventilateur ou de l'appareil climatique du sauna des objets susceptibles d'influer sur le débit ou la direction du flux d'air qui passe dans le Saunum Air L.



MISES EN GARDE

Un trop long séjour dans le sauna élève votre température corporelle, ce qui peut être dangereux pour la santé!

- Ne touchez pas le poêle à sauna lorsqu'il est chaud; les pierres et l'extérieur de celui-ci peuvent vous brûler!
- Ne laissez pas des enfants, des personnes handicapées ou des malades sans surveillance dans le sauna!
- Demandez un avis médical si vous avez des inquiétudes concernant la vapeur, la chaleur et/ou le traitement salin.
- Assurez-vous de ne pas être allergique à un traitement par le sel. Saunum n'est pas responsable d'éventuels effets secondaires du traitement par le sel dans le sauna!
- Consultez un pédiatre ou un docteur à propos de l'utilisation du sauna par les enfants!
- Déplacez-vous avec prudence dans le sauna et les pièces voisines, car le banc et le sol peuvent être glissants!
- Ne vous rendez pas au sauna sous l'influence de l'alcool, de médicaments ou de drogues!
- Ne dormez pas dans le sauna chaud!
- L'air marin et les climats humides peuvent causer une couche d'oxydation (rouille) sur les surfaces métalliques du poêle à sauna!
- Il est obligatoire de poser une rambarde ou protection autour du poêle à sauna pour éviter les brûlures par contact accidentel.
- Assurez-vous de disposer d'une ventilation adéquate dans la pièce du sauna.
- Ne suspendez pas de serviettes ou de vêtements dans le sauna pour les faire sécher; cela entraîne des risques d'incendie!
- Une humidité excessive peut endommager l'équipement électrique!
- Écartez tous les obstacles situés à moins de 50,8 cm (20 po) devant l'orifice du ventilateur!
- Les utilisateurs du sauna ne doivent pas placer leurs pieds ou d'autres parties du corps à moins de 50,8 cm (20 po) de l'avant du ventilateur.
- L'hyperthermie survient lorsque la température interne du corps atteint un niveau supérieur de plusieurs degrés à la température corporelle normale de 37°C (98,6°F). Les symptômes de l'hyperthermie comprennent une augmentation de la température interne du corps, des vertiges, une léthargie, une somnolence et des évanouissements. Les effets de l'hyperthermie sont les suivants :
 - Incapacité à percevoir la chaleur ;
 - Incapacité à reconnaître la nécessité de sortir de la pièce ;



- Inconscience du danger imminent ;
 - Dommages au fœtus chez les femmes enceintes ;
 - Incapacité physique de sortir de la pièce ; et,
 - Inconscience.
- Tous les câbles électriques sont correctement branchés.
 - Le Saunum Air L est allumé.
 - La température maximale dans la pièce du sauna est à votre convenance.
- **AVERTISSEMENT** – La consommation d'alcool, de drogues ou de médicaments peut augmenter considérablement le risque d'hyperthermie mortelle.

Remarque : Le poêle à sauna électrique nécessite un panneau de contrôle et des pierres.



Ne laissez pas le ventilateur du module d'égalisation de la chaleur fonctionner pendant que vous n'êtes pas dans la pièce du sauna. Ceci entraînerait une consommation inutile d'énergie et le banc du sauna deviendrait brûlant!



Contactez un spécialiste du fonctionnement des saunas pour assurer l'entretien. En cas de troubles de fonctionnement du Saunum Air L, arrêtez l'appareil immédiatement et faites procéder à une inspection par un technicien agréé par Saunum.

LE SAUNUM AIR NE SERT PAS À CHAUFFER OU À SOUFFLER DE L'AIR. VÉRIFIEZ LES POINTS SUIVANTS :

- Les disjoncteurs et les fusibles du chauffe-sauna sont en état de marche.

LA PIÈCE DU SAUNA CHAUFFE TROP LENTEMENT. L'EAU JETÉE SUR LES PIERRES REFROIDIT CELLES-CI TROP RAPIDEMENT.

- Assurez-vous que le ventilateur de circulation d'air du module d'égalisation de la chaleur soit à l'arrêt durant la période de chauffage du sauna.
- Assurez-vous que les disjoncteurs et fusibles du poêle à sauna soient en état de marche.
- Assurez-vous que toutes les résistances atteignent bien une température élevée lorsque le module d'égalisation de la chaleur est utilisé.
- Augmentez la température sélectionnée sur le panneau d'affichage.
- Assurez-vous que la puissance (kW) du poêle à sauna soit suffisante.
- Vérifiez les pierres. Des pierres trop serrées les unes contre les autres, s'enfonçant ou se tassant au fil du temps, ou des pierres d'un type inadéquat, peuvent gêner la circulation de l'air dans le poêle à sauna et ralentir, de ce fait, le chauffage de la pièce.
- Assurez-vous que la ventilation de la pièce du sauna soit correcte.



LA PIÈCE DU SAUNA CHAUFFE RAPIDEMENT, MAIS LA TEMPÉRATURE DES PIERRES EST INSUFFISANTE. L'EAU JETÉE SUR LES PIERRES S'ÉCOULE EN DESSOUS.

- Assurez-vous que la puissance (kW) du poêle à sauna ne soit pas trop élevée. Si la puissance du poêle à sauna est convenable pour la pièce du sauna, il faut 45-90 minutes pour atteindre la température désirée dans un sauna correctement isolé.
- Assurez-vous que la ventilation de la pièce du sauna soit correcte.

Réduisez la vitesse du module d'égalisation de la chaleur.

LE REVÊTEMENT DU MUR OU LES AUTRES MATÉRIAUX À PROXIMITÉ DU POÊLE SE SALISSENT RAPIDEMENT

- Respectez les distances de sécurité.
- Assurez-vous qu'aucun des éléments chauffants ne soit visible entre les pierres. Si les éléments sont visibles, éteignez l'appareil, laissez les pierres refroidir et soulevez-les pour que les éléments chauffants soient complètement recouverts.



Des pierres disposées de façon trop espacées peuvent entraîner une surchauffe des éléments chauffants, ce qui rend le climat inconfortable dans le sauna et peut représenter un risque d'incendie!

LES SURFACES EN BOIS DANS LE SAUNA SE SALISSENT AU FIL DU TEMPS.

Ce processus peut être accéléré par :

- le rayonnement solaire direct ou indirect
- la chaleur produite par le poêle à sauna
- le revêtement mural (si celui-ci présente une faible résistance à la chaleur)
- de fines particules de pierre.

LE POÊLE À SAUNA DÉGAGE UNE ODEUR.

- Voir la section **poêle à SAUNA** à la **page 54**.
- La chaleur du poêle à sauna peut exacerber les odeurs présentes dans l'air sans que celles-ci soient causées par le sauna ou par le poêle à sauna. Parmi les causes possibles figurent la peinture, la colle, l'huile, les épices, etc.

LE SAUNUM AIR L EST BRUYANT.

- Il y a toujours un certain bruit lorsque le ventilateur fonctionne. Si ce bruit n'est pas régulier, ou s'il est accompagné d'un son métallique, le ventilateur a probablement besoin d'un entretien ou d'une réparation. Vérifiez l'absence d'objets étrangers dans les orifices du ventilateur.
- Essayez de faire tourner le ventilateur plus lentement.
- Des sons puissants sont probablement causés par des pierres craquant sous l'effet de la chaleur.
- La dilatation thermique des parties du chauffe-sauna peut provoquer du bruit lors du chauffage.



ENTRETIEN

Les grandes fluctuations de température peuvent amener les pierres à se briser. Les pierres doivent être retirées et rechargées au moins une fois par an, davantage si le sauna est utilisé fréquemment. Lorsque vous rechargez les pierres, retirez les débris tombés au fond du poêle à sauna et remplacez les pierres brisées par des pierres neuves. Cette opération garantit que la capacité de chauffage du poêle à sauna demeure optimale et écarte le risque de surchauffe.

Si vous utilisez des sels de l'Himalaya avec le Saunum Air, il est recommandé d'inspecter les boules de sel au moins une fois par an et, si nécessaire, de remplacer les boules usées ou brisées par des neuves. Vérifiez l'absence de corps étrangers dans les orifices du ventilateur du module d'égalisation de la chaleur.



ATTENTION! Avant toute opération d'entretien ou de nettoyage du Saunum Air, le câble d'alimentation de l'appareil doit être débranché du secteur et/ou des autres appareils, et les parties mobiles de l'appareil doivent être à l'arrêt.

Avant de procéder à l'entretien et au nettoyage du Saunum Air L, assurez-vous que :

- le Saunum Air L est débranché de la prise secteur et/ou des autres appareils (vérifiez non seulement l'interrupteur de l'appareil, mais aussi les disjoncteurs ou fusibles);
- le ventilateur de l'appareil est à l'arrêt;
- les consignes de sécurité sont observées et les équipements protecteurs sont utilisés au cours du travail;
- les câbles de branchement sont intacts. Si les câbles de branchement sont endommagés, faites-les remplacer par un électricien qualifié dans le respect des normes en vigueur avant de poursuivre le travail d'entretien et de nettoyage.

Le boîtier du dispositif peut être nettoyé avec un chiffon humidifié à l'eau. N'utilisez pas de nettoyeurs à eau pressurisée, d'eau courante, de produits chimiques ou de dissolvants pour nettoyer le boîtier!

Employez une solution d'acide citrique à 10 % pour retirer le tartre et rincez à l'eau.

Un excès de saleté peut empêcher le ventilateur de fonctionner correctement et rendre celui-ci bruyant. Le bruit peut aussi augmenter du fait d'un dommage/torsion des pales du ventilateur. Vérifiez l'absence de corps étrangers ou de sel dans la zone de fonctionnement du rotor du ventilateur.



L'utilisation régulière du ventilateur écarte naturellement les débris éventuels. Si un nettoyage est nécessaire, nous vous recommandons de contacter un spécialiste de la ventilation du sauna.



ATTENTION! L'utilisation d'air comprimé pour nettoyer le ventilateur peut en endommager définitivement le rotor! Les roulements du ventilateur ne demandent pas d'entretien et doivent être remplacés si un problème se présente.

Il est recommandé de vérifier tous les branchements électriques du Saunum Air L au moins une fois par an. Ceci peut être fait par un électricien agréé.

PIÈCE DU SAUNA

L'installation du Saunum Air L nécessite que la pièce du sauna ait été au préalable convenablement préparée. L'isolation thermique des murs et du plafond doit être appropriée, sans quoi le chauffage de la pièce sera trop long et consommera trop d'énergie. Les câbles d'alimentation du poêle et du ventilateur doivent être indiqués sur le tableau de branchement électrique conformément au **Tableau 1** (voir **les pages 52–53**).

L'air de la pièce du sauna doit être renouvelé au moins six fois par heure.

VENTILATION DE LA PIÈCE DU SAUNA



La présence dans la pièce du sauna d'une entrée d'air pour la ventilation est obligatoire.

Placez l'entrée d'air sous le module d'égalisation de la chaleur ou à proximité de celui-ci. Le tuyau de la prise d'air doit avoir un diamètre de 8,3 cm à 10,2 cm (3–1/4 po–4 po).



La présence dans la pièce du sauna d'une sortie d'air pour la ventilation est obligatoire.

Placez l'orifice de sortie d'air près du sol, aussi loin du Saunum Air L que possible. Le diamètre du tuyau de sortie d'air doit être le double de celui du tuyau de la prise d'air.

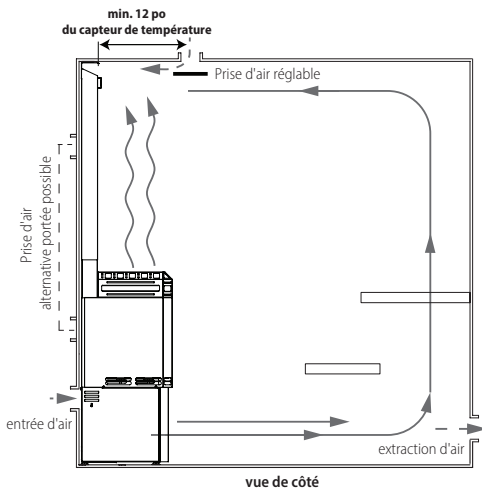


Figure 1

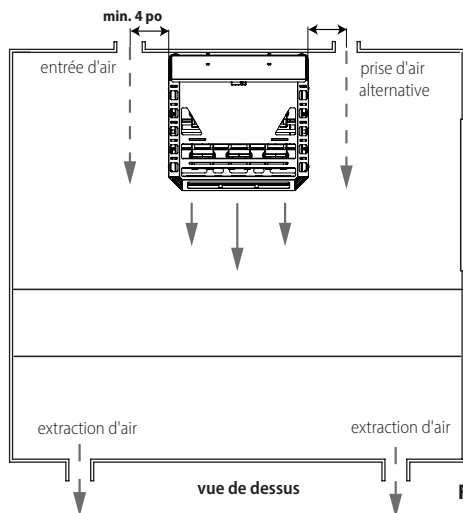


Figure 2

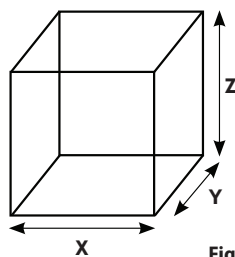


Figure 3.1

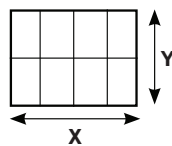


Figure 3.2

CALIBRAGE DE VOTRE SAUNA

Le volume et les structures du sauna influent sur le choix de la puissance du poêle à sauna. La puissance nécessaire augmente en cas de présence de surfaces en verre ou d'autres surfaces froides comme des murs carrelés, en briques, béton ou pierre, dans le sauna.

En présence de parois en verre, en carrelage, en brique, béton ou pierre dans le sauna, un volume additionnel de 0,1 m³ (3,9 pi³) doit être ajouté au calcul du volume du sauna pour chaque 0,9 m² (1 pi²) de surface de telles parois.

Pour faire ce calcul, multipliez la hauteur (Z) par la largeur (X) et par la longueur (Y) en mètres pour obtenir le volume cubique de votre sauna comme le montre la **Figure 3.1**. Calculez ensuite la surface totale des murs en brique, carrelage, verre ou béton (X x Y **Figure 3.2**). Multipliez cette surface cumulée par 3,90 et ajoutez le résultat au volume de votre pièce

Le résultat représente le volume du sauna sur la base duquel vous pouvez choisir la puissance convenable pour le poêle à sauna. Si le résultat tombe entre deux valeurs de puissance, nous vous conseillons de choisir le poêle à sauna le plus puissant.

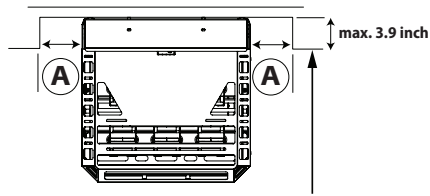


Distances de sécurité pour l'emplacement recommandé du Saunum Air L dans la pièce du sauna.

Saunum Air L avec le panier du poêle en acier massif noir - 5,1 cm (2 po) dimensions A et B.

Saunum Air L avec le panier du poêle en acier inox - 15,4 cm (6 po) dimensions A et B.

Notez que l'appareil peut être positionné contre le revêtement de la pièce du sauna ou sur des panneaux, à votre choix.



Non-combustible material

Figure 4

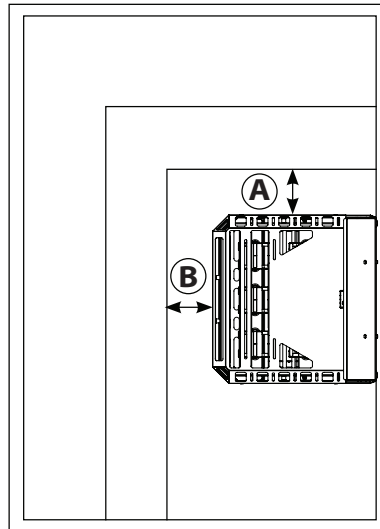


Figure 5

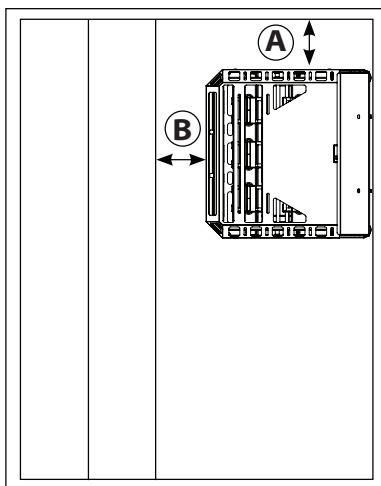


Figure 6

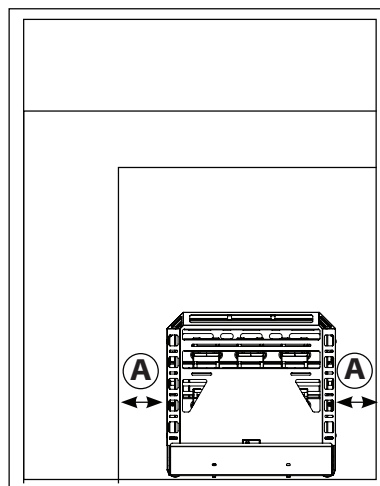


Figure 7



PUISSANCE DU POÊLE À SAUNA

Si l'isolation placée derrière les revêtements des murs et du plafond est adéquate, la puissance du poêle à sauna est déterminée par le volume de la pièce du sauna. Des murs non isolés (brique, briques de verre, béton, sol carrelé, etc.) imposent un chauffe-sauna plus puissant. Ajoutez 1,2 m³ (42 pi³) au volume de la pièce du sauna par mètre carré de paroi non isolée.

Par exemple, un sauna de 10 m³ (353 pi³) avec une porte en verre demandera la même puissance qu'une pièce isolée de 12 m³ (424 pi³). Si la pièce du sauna a des murs en rondins, multipliez son volume par 1,5. Les volumes optimaux des saunas pour le Saunum Air L sont donnés dans le **Tableau 1** (voir les pages 8–9). La hauteur de la pièce du sauna se situe généralement entre 2,1 et 2,3 m (83 et 91 po).

La hauteur minimale pour l'installation du Saunum Air est de 1,8 m (71 po). Voir le **Tableau 1** (pages 8–9).

AVANT L'INSTALLATION

L'installation du Saunum Air L doit être effectuée par un électricien qualifié. Le branchement de l'appareil doit être effectué dans un emplacement stable, avec un câble

respectant les conditions de température. La protection de mise à la terre (GND) doit être branchée au terminal de branchement de l'appareil, avec un câble de section au moins 14 AWG, 90°C/194°F. L'appareil doit être alimenté à partir du circuit d'alimentation du système de contrôle, qui est protégé par des disjoncteurs. Les calibres des disjoncteurs nécessaires et les dimensions des câbles de branchement figurent dans le **Tableau 1** (voir les pages 52–53).

Tous les systèmes de contrôle certifiés possédant la capacité de fonctionnement correspondant à la capacité du modèle Saunum Air L utilisé, conformément au **Tableau 1** (voir les pages 52–53), peuvent être utilisés pour contrôler le pilote hygrothermique du sauna.

Avant de démarrer l'installation, lisez les instructions d'installation et vérifiez les points suivants :

- La puissance et le type du chauffe-sauna conviennent pour la pièce du sauna. Le volume recommandé pour la pièce du sauna figure dans le **Tableau 1** (voir les pages 52–53).
- La tension d'alimentation convient pour le Saunum Air L.



- Sur le site d'installation du pilote hydrothermique du sauna, les distances minimales de sécurité données dans le **Tableau 1** (voir les pages 52–53), mesurées depuis le boîtier du chauffe-sauna, sont respectées.
 - Les dimensions de l'appareil sont indiquées sur les **Figures 1** et **2** (voir les pages 65 et 66).
 - Assurez-vous également que le bord supérieur de la sortie d'air soit plus bas que le bord inférieur du banc.
 - Il ne doit pas y avoir d'obstacle devant la sortie d'air; l'air doit pouvoir circuler librement dans la pièce du sauna.
 - Le système fonctionne au mieux lorsque la prise d'air chaud est placée juste sous le plafond de la pièce du sauna et que l'air est soufflé sous le banc.
 - Les distances de sécurité doivent être absolument respectées, leur non-respect entraînant un risque d'incendie. Un seul pilote de sauna peut être installé dans la pièce du sauna.
- En raison du danger de fragilisation thermique, il est interdit d'utiliser un câble avec une gaine de PVC pour le branchement du Saunum Air.
- Les branchements internes de l'appareil sont réalisés par des bornes vissées, conformément à la Figure 3 (voir la page 73) et au **Tableau 1** (voir les pages 52–53) de ce manuel.
 - La protection de mise à la terre (GND) doit être branchée au terminal de branchement de l'appareil, avec un câble de section d'au moins 14 AWG, 90 °C/194 °F.
 - Le chauffe-sauna doit être alimenté par une prise secteur de 240 V c.a. ou 120 V c.a. 50/60 Hz par un système de contrôle protégé par un fusible de surintensité du calibre indiqué dans le **Tableau 1** (voir les pages 52–53).
 - Si vous voulez brancher le ventilateur de circulation d'air de l'appareil séparément du système de contrôle du chauffe-sauna, le ventilateur doit être branché par un appareil à courant résiduel. Dans ce cas, la protection de mise à la terre (GND) du terminal d'alimentation du ventilateur du Saunum Air L ne doit pas entrer en contact avec la protection de mise à la terre du terminal d'alimentation du chauffe-sauna. Dans ce cas, utilisez des câbles de mise à la terre d'au moins 16 AWG, 194 °F/90 °C pour l'alimentation du ventilateur.



- Le câble d'alimentation doit pénétrer dans le boîtier du Saunum Air L de façon à ce que l'eau ne puisse pas couler le long du câble dans la boîte de branchement électrique du boîtier du Saunum Air L. La gaine du câble ne doit être retirée que sur la partie située à l'intérieur du boîtier de l'appareil.
 - Si les câbles de branchement et d'installation de l'appareil se trouvent à une hauteur supérieure à 101,6 cm (40 po) au-dessus du sol du sauna, ou si ces câbles passent à l'intérieur des murs du sauna, ils doivent pouvoir supporter une température d'au moins 150 °C (302 °F) (par exemple, SSJ). Les équipements électriques installés dans la pièce du sauna à une hauteur inférieure à 101,6 cm (40 po) doivent être en mesure de supporter une température d'au moins 90 °C (194 °F).
 - Les sections recommandées pour les gorges des câbles sont données dans le **Tableau 1** (voir les pages 52–53).

Le Saunum Air L ne peut être branché que par un électricien professionnel, dans le respect de la réglementation en vigueur!



Saunum Air L
10, 13 and 15kW

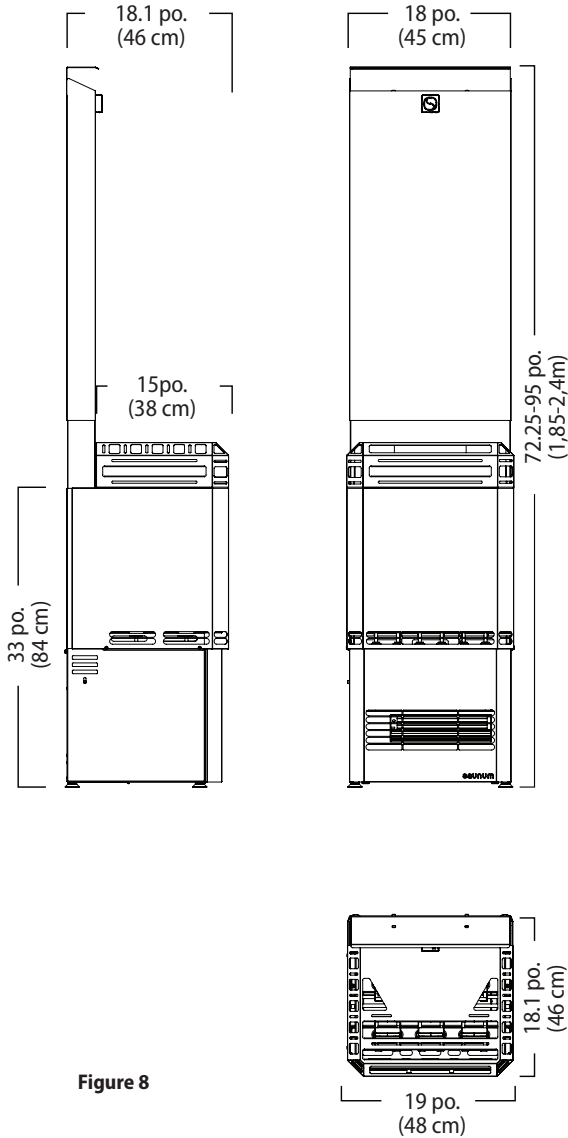
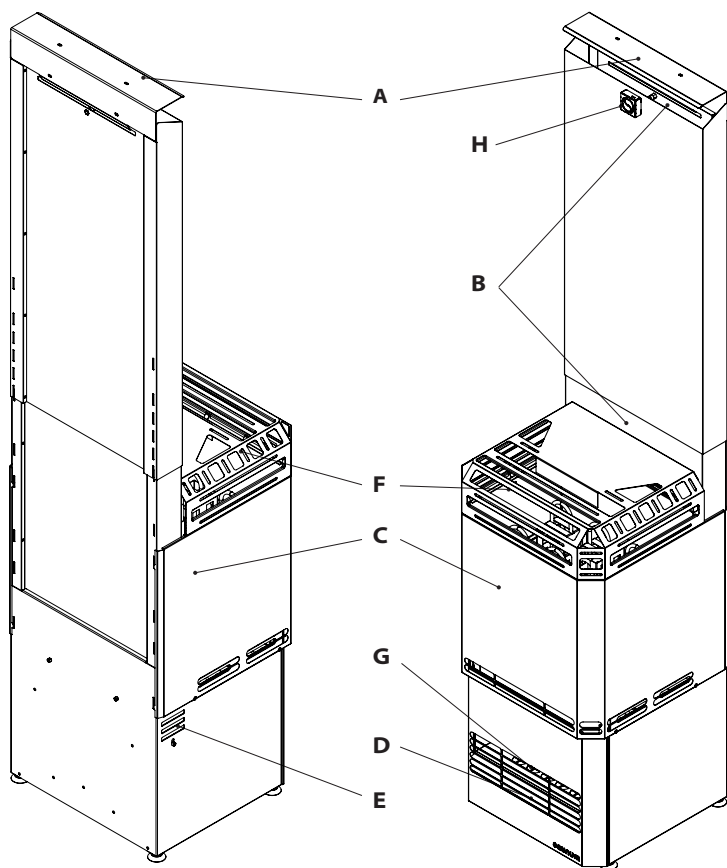


Figure 8

DIMENSIONS



A – Couvercle de prise d'air chaud

B – Prise d'air chaud

C – Panier à pierres

D – Grille de la sortie d'air

E – Valve de prise d'air froid

F – Grille de protection

G – Plateau pour le sel de l'Himalaya

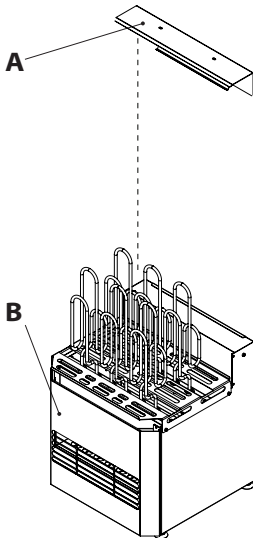
H – Capteur de température



Retirez la pellicule de protection avant d'assembler le chauffe-sauna!



1. Placez le couvercle de prise d'air chaud (A) et centrez le boîtier du poêle à sauna par rapport au couvercle (B).

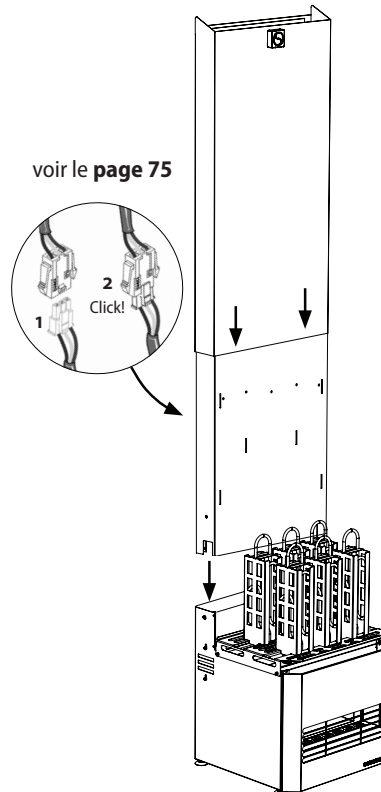


Placez le couvercle au point de contact entre le mur et le plafond, et fixez-le d'une façon appropriée au matériau de la base. Il peut être fixé au mur ou au plafond. Centrez le poêle à sauna sous le couvercle et ajustez les pieds pour que l'appareil soit de niveau.

2. Emboîtez les parties de la prise d'air chaud l'une dans l'autre. Placez ensuite la partie inférieure de la prise d'air à l'extrémité de l'orifice de prise d'air du poêle à sauna et ajustez ses pieds vérifiez la prise d'air et le boîtier pour vous assurer que l'appareil soit bien de niveau. Ajustez le boîtier du poêle à sauna si nécessaire.

Abaissez soigneusement la prise d'air dans l'orifice de prise d'air situé au sommet du poêle à sauna.

Connecter le capteur de température derrière la prise d'air chaud (voir le **page 75**) à l'aide d'une fiche Molex.

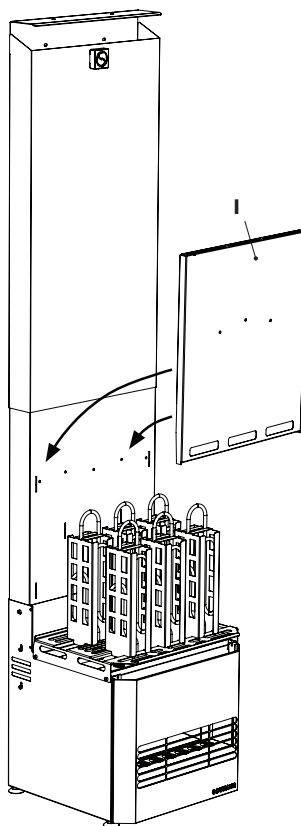
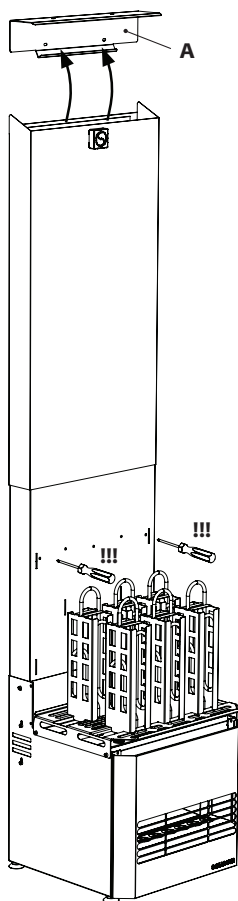




3. Suspendez la prise d'air télescopique au couvercle de prise d'air (A).

4. Vissez la prise d'air dans le mur!

5. Installez la protection thermique (I) avec les crochets.

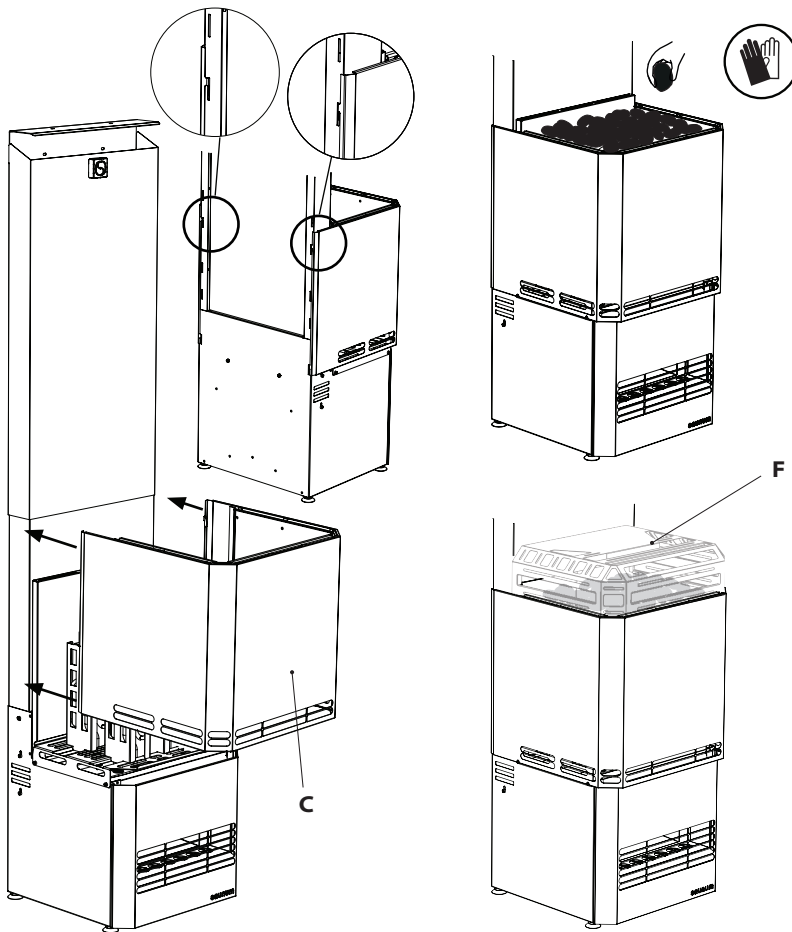




6. Installer le panier en pierre (C) à pierres au moyen des crochets dans l'ouverture située derrière la prise d'air chaud. Remplissez le panier de pierres de façon homogène (voir CHARGEMENT DES PIERRES, voir page 56).

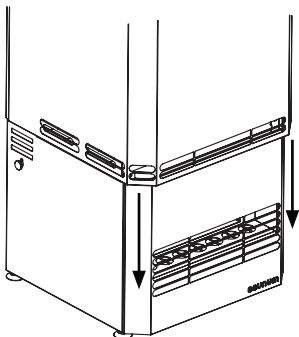
Portez des gants pour protéger vos mains!

Lorsque le panier à pierres est correctement rempli, installez la grille de protection (F).

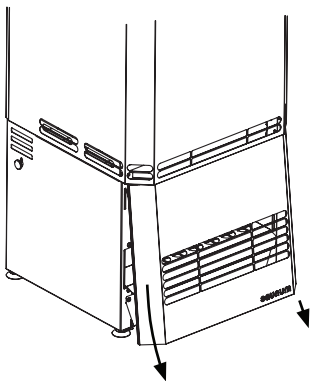




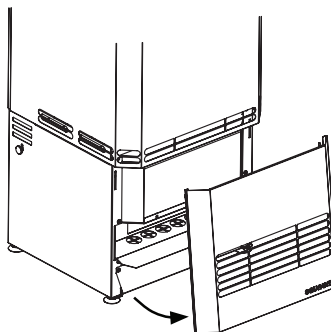
7. Installer les boules de sel de l'Himalaya.



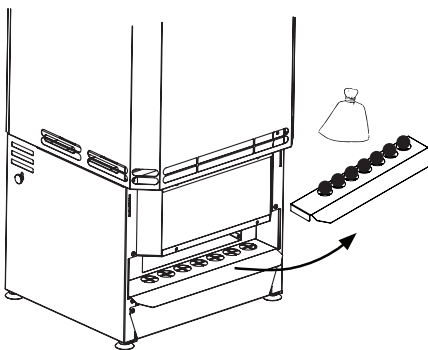
Tirez depuis le dessous de la grille de sortie vers l'extérieur.



Retirez la grille de sortie en la tenant légèrement inclinée et en la tirant vers le bas

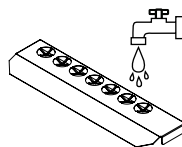


Sortez les boules de sel du sac en tissu. Placez les boules de sel dans les logements de manière à ce que chaque boule de sel se trouve sur un logement. Pour faciliter l'opération, le plateau à sel peut être retiré.



REMARQUE !

Il est recommandé de rincer la base des boules de sel au moins une fois par an.





BRANCHEMENTS ÉLECTRIQUES

8. Branchez le Saunum Air L à l'unité de contrôle AirIQ.

Le branchement électrique de l'appareil doit être effectué par une personne qualifiée, dans le respect des normes et règlements en vigueur.

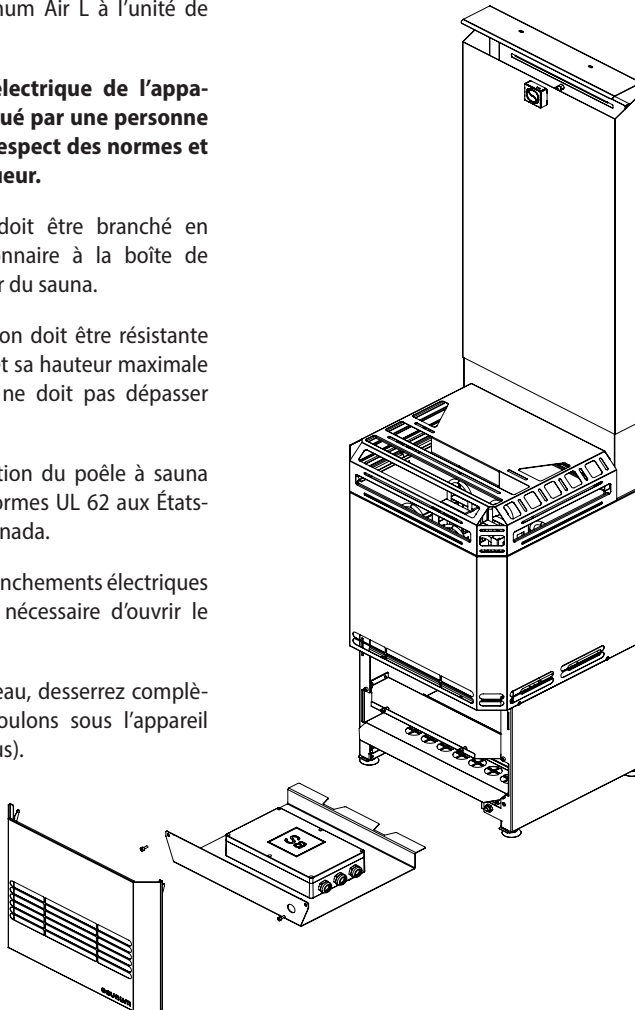
Le Saunum Air L doit être branché en position semi-stationnaire à la boîte de connexion sur le mur du sauna.

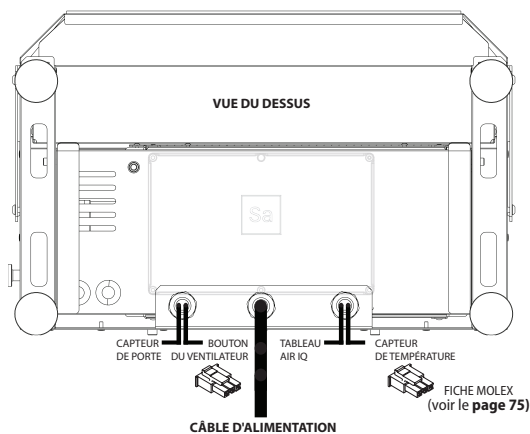
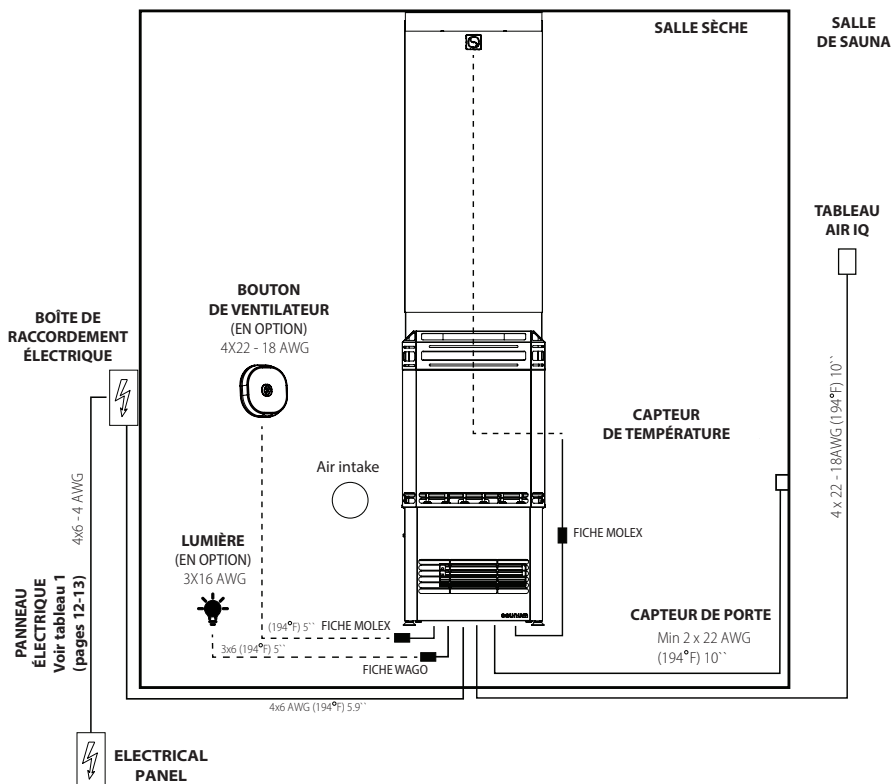
La boîte de connexion doit être résistante aux éclaboussures, et sa hauteur maximale par rapport au sol ne doit pas dépasser 50,8 cm (20 po).

Le câble d'alimentation du poêle à sauna doit respecter les normes UL 62 aux États-Unis et CSA 49 au Canada.

Pour accéder aux branchements électriques de l'appareil, il est nécessaire d'ouvrir le panneau inférieur.

Pour ouvrir le panneau, desserrez complètement les deux boulons sous l'appareil (voir figure ci-dessous).

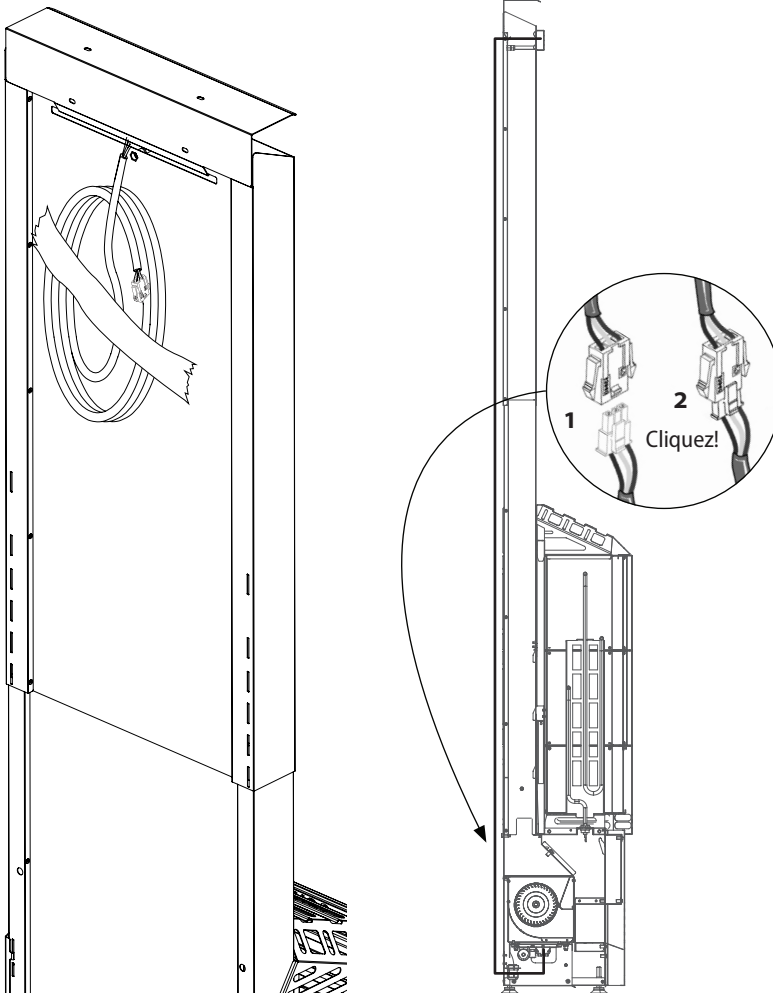


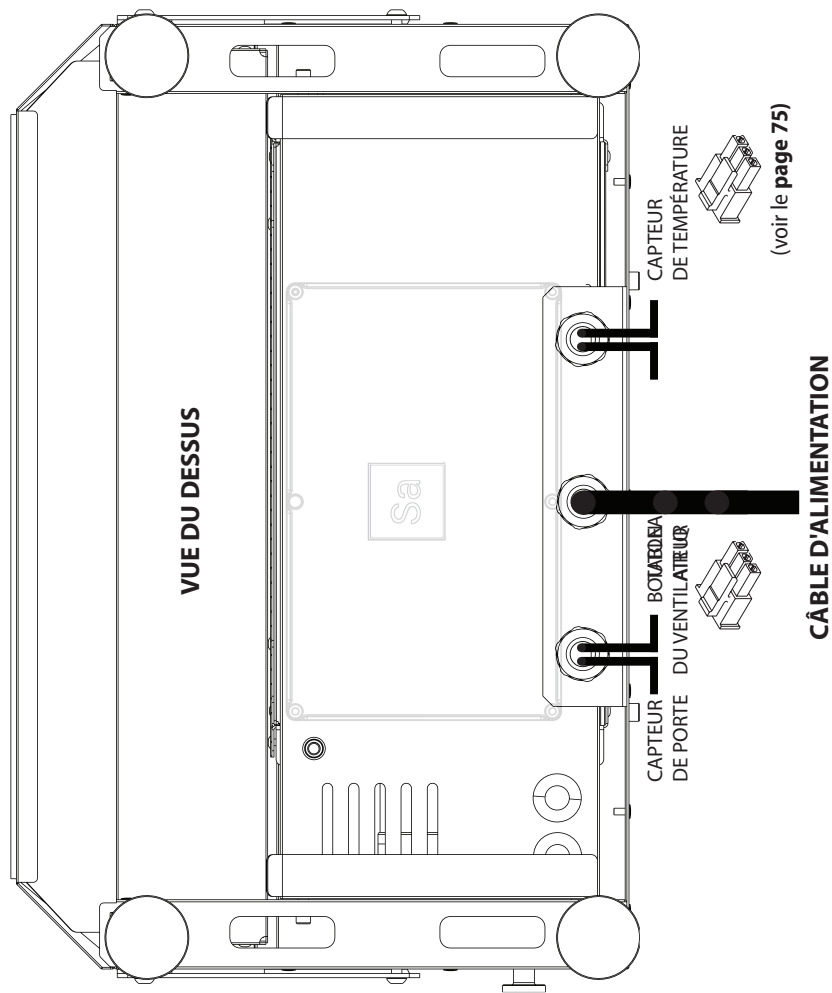




1. Ôtez le ruban adhésif du câble du capteur de température, qui est fixé au dos de la prise d'air chaud.

2. Déroulez le capteur de température sur le dos de la prise d'air et localisez l'entrée des câbles au bas de l'appareil.







COUPURE THERMIQUE

Pendant une séance de sauna, la chaleur dans la pièce peut être trop élevée et, pour des raisons de sécurité, la coupure thermique est activée. Pour continuer à utiliser le sauna, laissez la pièce refroidir pendant environ 10 minutes.

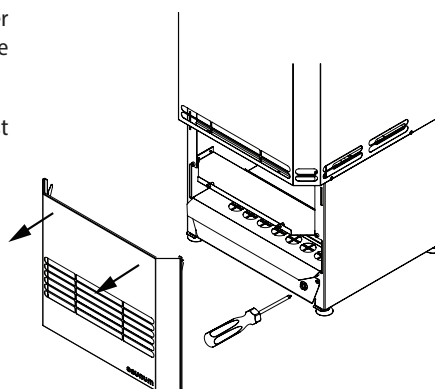
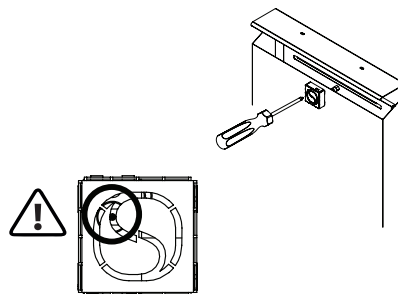
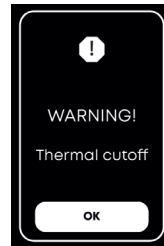
Lorsque la pièce a refroidi au bout de 10 minutes, appuyez sur le bouton de réinitialisation (marron) jusqu'à ce que vous entendiez un déclic.

Il y a deux boutons de réinitialisation : l'un derrière le panneau avant inférieur **A** (voir les instructions sur la façon de retirer le panneau avant à la **page 72**) et l'autre dans le boîtier du capteur de température **B** sur le conduit de la prise d'air chaud..

REMARQUE !

Après avoir réinitialisé la coupure thermique et avant de poursuivre la séance de sauna, il est nécessaire de redémarrer le sauna à partir du tableau de commande AirIQ.

Si la séance de sauna est terminée, il n'est pas nécessaire de faire quoi que ce soit.





RÉSISTANCE D'ISOLEMENT DU POÊLE À SAUNA ÉLECTRIQUE

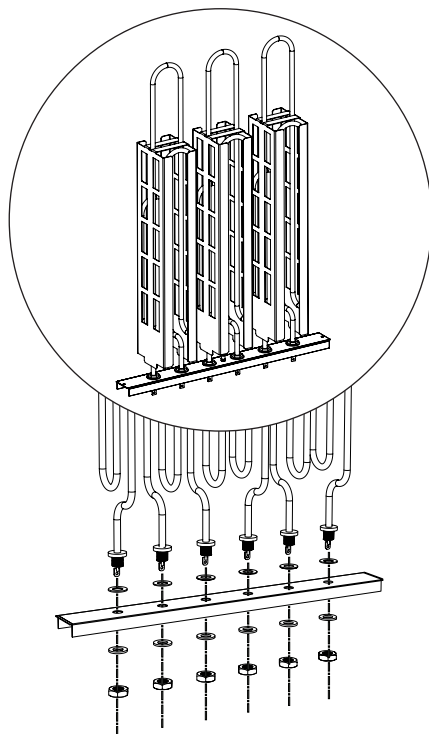
Durant l'inspection finale de l'installation électrique, une fuite peut être détectée lors de la mesure de la résistance d'isolement du Saunum Air, cette fuite étant due à l'absorption d'humidité de l'air par le matériau d'isolation des éléments chauffants du poêle à sauna lors du stockage et du transport. Après quelques utilisations du Saunum Air, cette humidité disparaîtra.



Ne branchez pas le chauffe-sauna au secteur ou aux autres appareils par un disjoncteur différentiel de fuite à la terre (DDFT)!

INSTALLATION ET REMPACEMENT DES ÉLÉMENTS CHAUFFANTS

Les éléments chauffants sont branchés à l'appareil par des connexions à vis. Il est nécessaire de débrancher ces connexions à vis avant de retirer les éléments chauffants.





GARANTIE

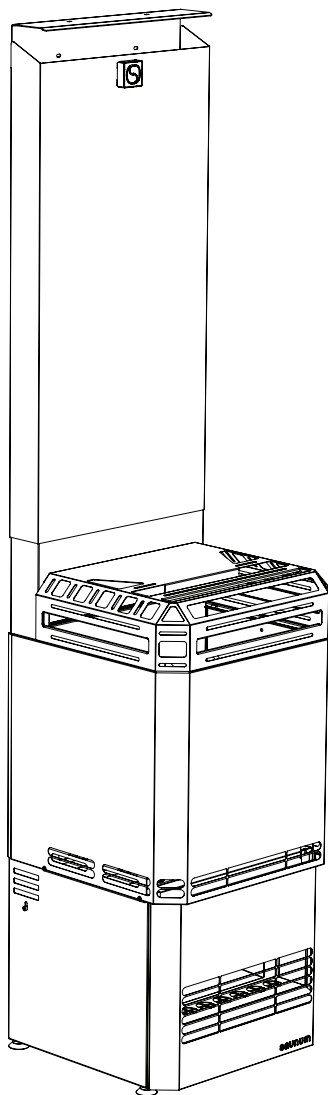
Par la garantie de l'appareil Saunum, Saunum garantit que l'appareil demeurera exempt de défauts de matériaux et de fabrication pour une durée déterminée à partir de la date d'achat. Si, au cours de la période de garantie, il s'avère que l'appareil est défectueux du fait de matériaux de qualité insuffisante ou à cause d'un défaut de fabrication, les partenaires réparateurs agréés de Saunum répareront ou remplaceront l'appareil ou les parties défectueuses de celui-ci sans frais de main-d'œuvre ou de pièces, aux conditions précisées ci-dessous. Saunum se réserve le droit de décider de remplacer un composant défectueux de l'appareil ou de remplacer l'appareil complet par un nouveau. Les composants défectueux du produit faisant l'objet d'un remplacement restent la propriété de Saunum.

Conditions de garantie :

1. La garantie n'est valable que si un rapport d'installation complet est soumis avec la réclamation.
2. L'appareil a été branché à la prise secteur par un électricien qualifié dans le respect des réglementations en vigueur.
3. La période de garantie de l'appareil climatique du sauna, pour une utilisation dans un sauna privé, est de deux (2) ans.
4. La période de garantie de l'appareil climatique du sauna, pour une utilisation dans un sauna public, est d'un (1) an.

Cas non couverts par la garantie :

1. Opérations ordinaires d'entretien et de nettoyage de l'appareil et remplacement de composants suite à une usure normale;
2. Adaptation ou modification de l'appareil dans un but autre que celui qui est indiqué dans les consignes d'utilisation;
3. Risques liés au transport;
4. Dommages résultant d'une utilisation impropre de l'appareil;
5. Dommages résultant d'une installation défectueuse de l'appareil;
6. Réparations non effectuées par un partenaire réparateur recommandé par Saunum (partenaire d'entretien);
7. Les accidents, la foudre, l'eau, le feu, une mauvaise ventilation ou tout autre facteur indépendant de la volonté de Saunum;
8. Dégâts causés par l'utilisation de pierres ou de boules de sel différentes des modèles recommandés par Saunum;
9. Éléments chauffants et boules de sel.



Vous trouverez la liste des installateurs et agents d'entretien professionnels recommandés sur le site Web de Saunum Saunas OÙ www.saunum.com ou en nous contactant à

techsupport@bathingbrands.com
phone: +1 (224) 253-5909

Les instructions d'entretien de l'appareil Saunum sont données dans les consignes d'utilisation.

Attention! Le sauna ne peut être branché à la prise secteur que par un électricien qualifié et dans le respect des réglementations en vigueur.

Lisez soigneusement l'ensemble des consignes d'utilisation **avant d'utiliser l'appareil** et conservez ces documents dans un lieu sûr et accessible pour pouvoir vous y reporter par la suite.



COMPTE RENDU D'INSTALLATION

Date d'achat : _____

Type de chauffe-sauna : _____

Autocollant/numéro de série :



Date d'installation : _____

Lieu d'installation : _____

Installé par : _____

Vérifié par : _____

Date, signature : _____

Description du travail effectué : _____

Toutes les pièces nécessaires à l'installation sont présentes _____

Absence de défauts de couleur ou de traces de choc _____

Installé sur le mur ou au sol conformément aux instructions _____

Les branchements électriques ont été effectués conformément aux instructions d'installation

Tous les éléments chauffants fonctionnent _____

Les trois vitesses du ventilateur fonctionnent/dans l'ordre correct _____

Notes : _____

Contact du client (nom, adresse courriel) : _____

Réception des travaux : _____

Date de début de la garantie : _____

FRE

INSTRUCTIONS D'UTILISATION ET D'INSTALLATION



Chauffe-sauna
E525245

Fabricant : Saunum Saunas North America LTD
Telliskivi Tn 60-1,
Põhja-Tallinna Linnaosa, 10412
Estonie

déclare que le produit :

Saunum Air L

est conforme aux exigences des normes suivantes :

UL 875, Electric Dry-Bath Heaters, Édition 9, Date de révision 01/04/2021;
CSA C22.2 No. 164, Electric Sauna Heating Equipment, Édition 2,
Date de publication 02/2018.

Ces produits ne contiennent aucune substance dangereuse en proportion supérieure à 0,1 % (SVHC) et satisfont aux exigences de la réglementation REACH (1907/2006/EU REACH XVII) ainsi qu'aux exigences de la Directive RoHS (2011/65/EU, RoHS2 et 2015/863/EU, RoHS3)